

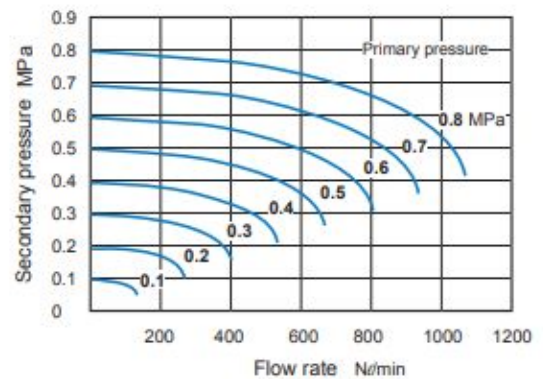


Specification

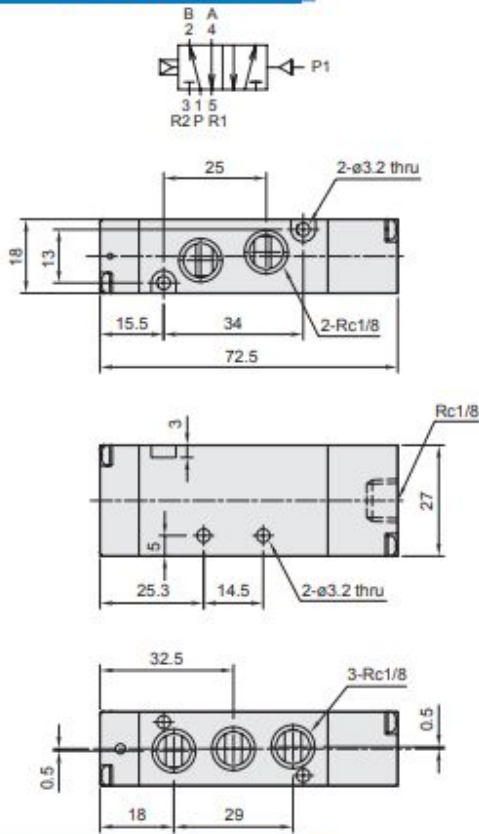
Bore No.	6A			
Port size	Rc1/8			
No. of port	3	5		
Medium	Air			
Operating pressure range (MPa)	0~0.8	0.15~0.8	0~0.8	
Proof pressure	1 MPa			
Effective orifice	12 mm ²			
Pilot pressure range	(0.45×P*+0.1)~0.8 MPa			
Ambient temperature	-5~+60°C (No freezing)			
Weight	61 g	74 g	71 g	84 g

* P: Operating pressure.

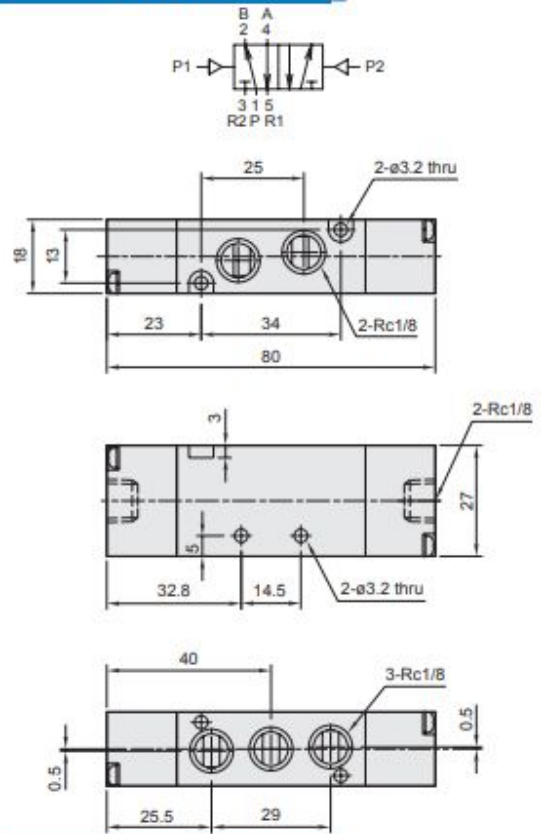
Flow features



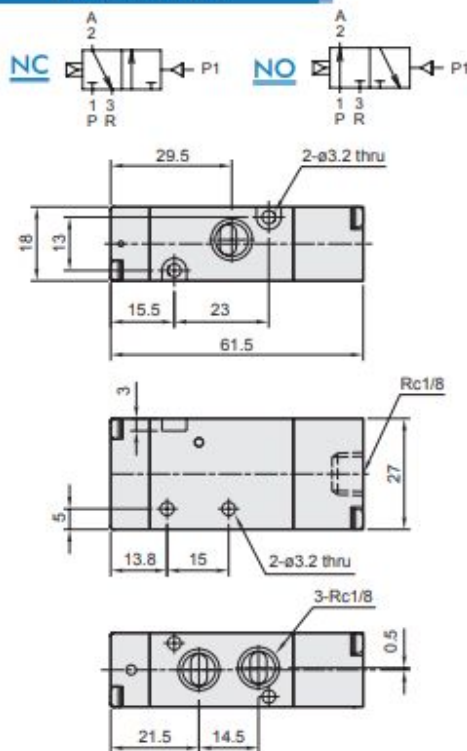
PVM5218



PVB5218



PVM3218 NC/NO



PVB3218

