



## Specification

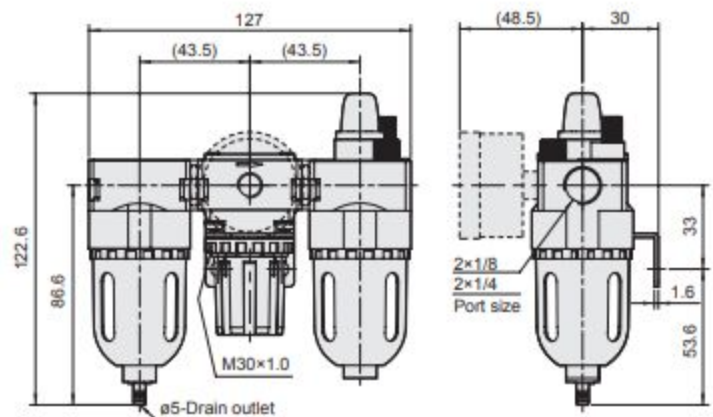
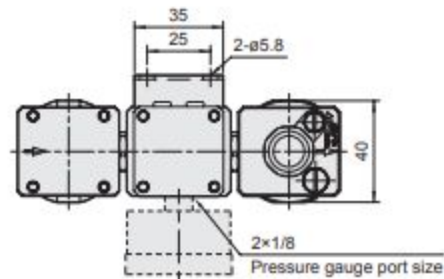
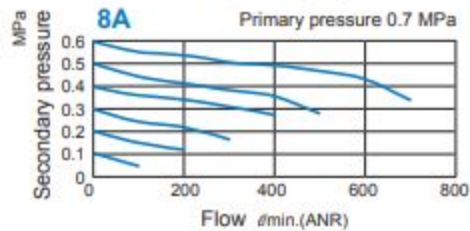
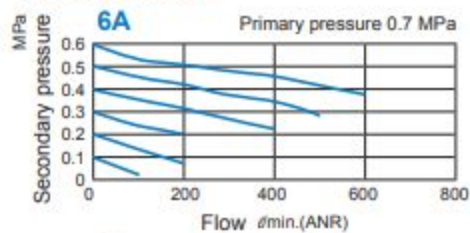
Bore No.	6A	8A
Port size	1/8	1/4
Medium	Air	
Operating pressure range (*)	0.05~1 MPa	
Proof pressure	1.5 MPa	
Regulated pressure range	0.05~0.85 MPa	
Ambient temperature	- 5~+60°C (No freezing)	
Filter element	Standard: 40μm, Option: 5μm	
Lubricating oil capacity	35c.c	
Min. flow for oil drip	35 l/min	50 l/min
Recommended lubricating oil	Turbine oil ISO-VG32	
Weight	465 g	

## Symbol



\* Standard unit contains auto-drain function when operating pressure below 0.05 MPa.

## Flow feature

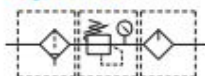




## Specification

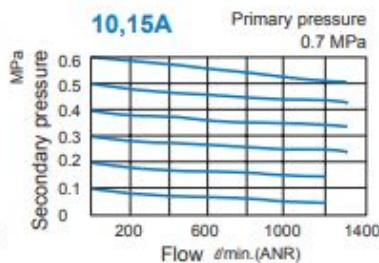
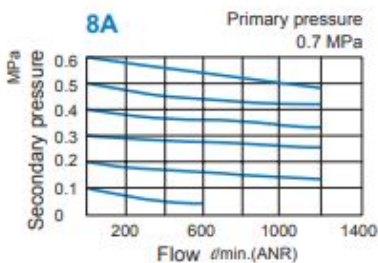
Bore No.	8A	10A	15A
Port size	1/4	3/8	1/2
Medium	Air		
Operating pressure range (*)	0.05~1 MPa		
Proof pressure	1.5 MPa		
Effective orifice	32mm <sup>2</sup>	34mm <sup>2</sup>	
Regulated pressure range	0.05~0.85 MPa		
Ambient temperature	- 5~+60°C (No freezing)		
Filter element	Standard: 5µm, Option: 40µm		
Lubricating oil capacity	65c.c		
Min. flow for oil drip	50 l/min	60 l/min	
Recommended lubricating oil	Turbine oil ISO-VG32		
Weight	1115 g		

## Symbol



\* Standard unit contains semi-auto-drain function when operating pressure below 0.05 MPa.

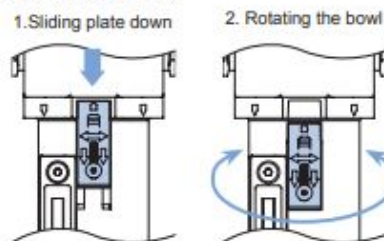
## Flow feature

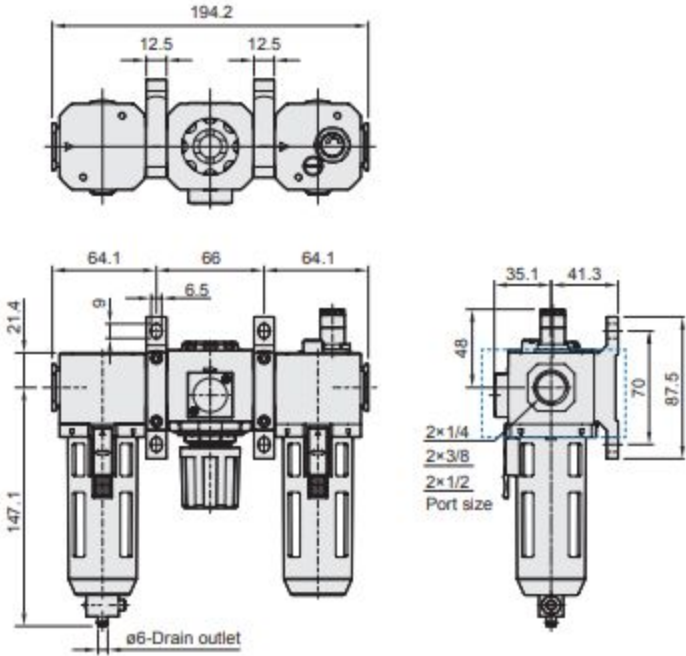


## Caution

### Metal bowl

Before assembling or disassembling, push the lock plate down to the end, and confirm that is detached from the body then rotate the bowl, otherwise the lock plate will be deformed or the body will be scratched.







### Symbol



### Specification

Bore No.	20A	25A
Port size	3/4	1
Medium	Air	
Operating pressure range (*)	0.05~1 MPa	
Proof pressure	1.5 MPa	
Regulated pressure range	0.05~0.85 MPa	
Ambient temperature	- 5~+60°C (No freezing)	
Filter element	40µm	
Lubricating oil capacity	200c.c	
Min. flow for oil drip	25 ℓ/min	33 ℓ/min
Recommended lubricating oil	Turbine oil ISO-VG32	
Weight	Nylon bowl, PC bowl: 4200 g	
	Metal bowl: 4440 g	

\* Standard unit contains semi-auto-drain function when operating pressure below 0.05 MPa.

### Flow feature

