

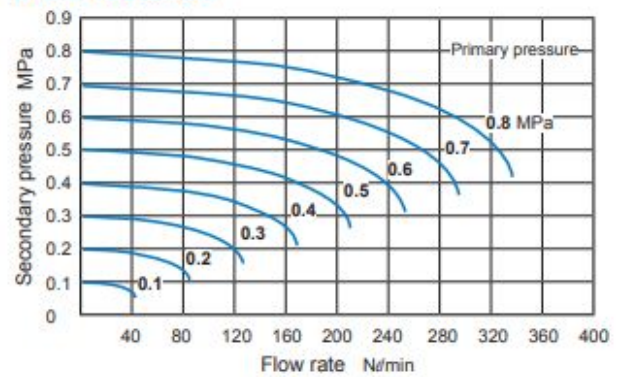


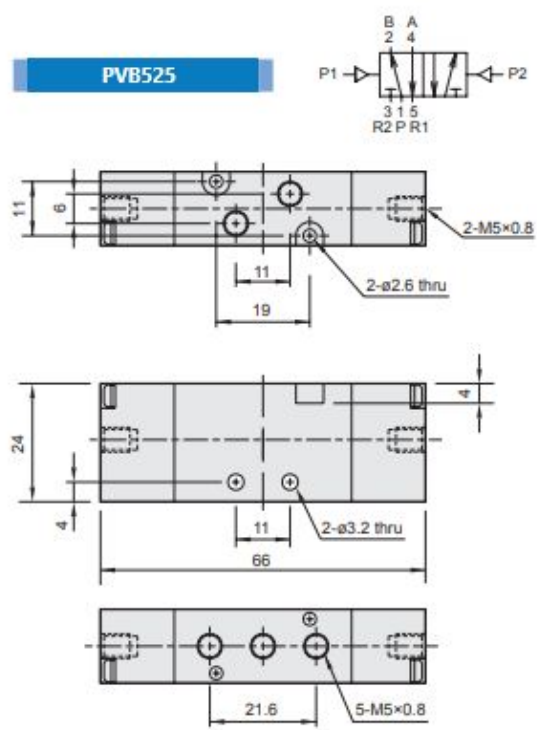
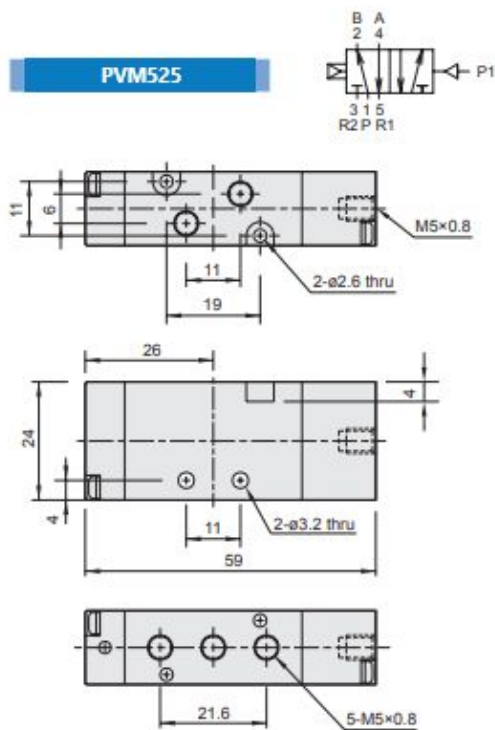
Specification

Bore No.	M5	
Port size	M5×0.8	
No. of port	5	
Medium	Air	
Operating pressure range	0.15~0.8 MPa	0~0.8 MPa
Proof pressure	1 MPa	
Effective orifice	3.8 mm ²	
Pilot pressure range	(0.45×P*+0.1)~0.8 MPa	
Ambient temperature	-5~+60°C (No freezing)	
Weight	47 g	58 g

* P: Operating pressure.

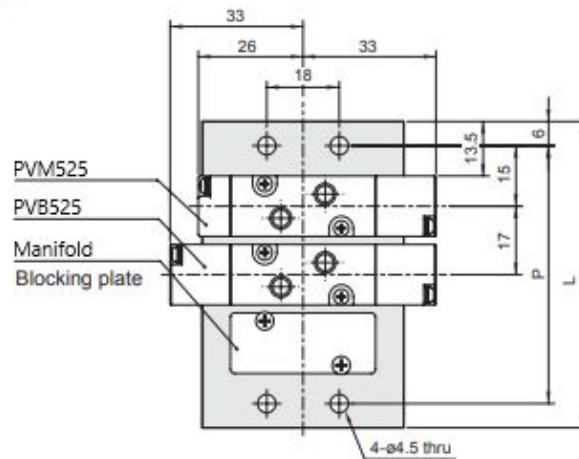
Flow features





Manifold of pilot valve

5 port (for body ported type)



No. of stations	P	L
2	47	59
3	64	76
4	81	93
5	98	110
6	115	127
7	132	144
8	149	161
9	166	178
10	183	195

