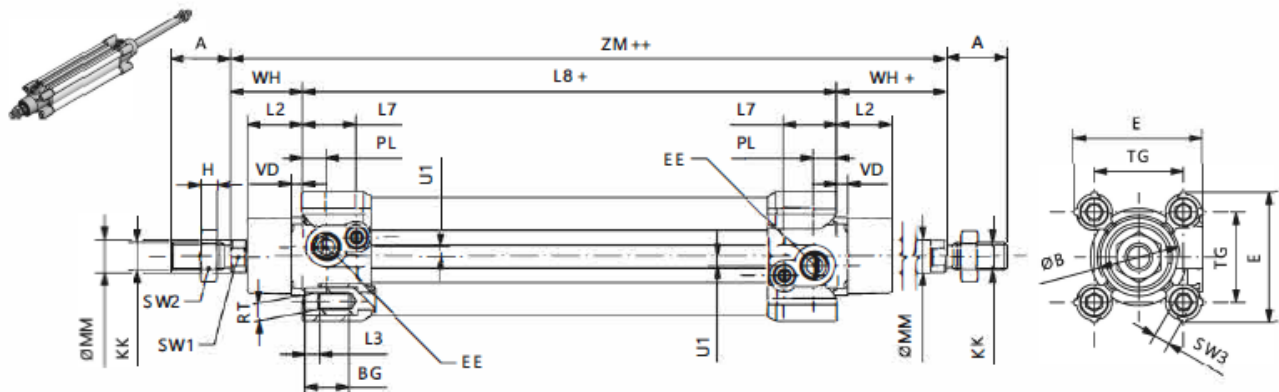


Pneumatic cylinders

Cylinders ISO 15552 Ø 32 - 320 ISO 6431 VDMA

Pneumatic cylinders ISO 15552 32-125, through rod, Pneuparts series



Ø	M	KK	A	ØB	VD	L2	RT	BG	L3	H	SW2	TG	EE	PL	WH	L8	E	SW1	SW3	U1	L7	ZM
32	12	M10x1,25	22	30	4	20	M6	15	5	6	17	32,5	1/8G	8,5	26	94	47	10	6	3,5	19,4	146
40	16	M12x1,25	24	35	4	22	M6	15	5	7	19	38	1/4G	10	30	105	52	13	6	4	23	165
50	20	M16x1,5	32	40	4	26	M8	16	5	8	24	46,5	1/4G	13,5	37	106	65	17	8	1,5	23	180
63	20	M16x1,5	32	45	4	25	M8	16	5	8	24	56,5	3/8G	15	37	121	75	17	8	1	23	195
80	25	M20x1,5	40	45	4	32	M10	17	6	9	30	72	3/8G	21	46	128	95	22	10	1	30	220
100	25	M20x1,5	40	55	4	38	M10	17	6	9	30	89	1/2G	24	51	138	115	22	10	6	30,5	240
125	32	M27x2	54	60	5	40	M12	21	5,5	12	41	110	1/2G	23	65	160	140	27	12	8	27,5	290

+ = plus stroke length

++ = plus stroke length x 2

These cylinders can be replaced by, pneumatic cylinders ISO 15552 32-125, Pneuparts series:

Brand	series		
FESTO	DSBC	DSBG	
Norgren	PRA		
SMC	CP96		
Univer	KL200		
Parker	P1D		
Pneumax	1386:1996	1390:1392	
Aventix/ Bosh Rexroth	PRA	TRB	CCL-15

Pneuparts.com
Florijn 10 b/c
5751 PC Deurne
Nederland

Phone: +31 (0)493 763 993

info@pneuparts.com
www.pneuparts.com

BTW: NL8209.12.931B01

KvK: 17126382

Swift: RABONL24

IBAN: NL23RABO01036.31240