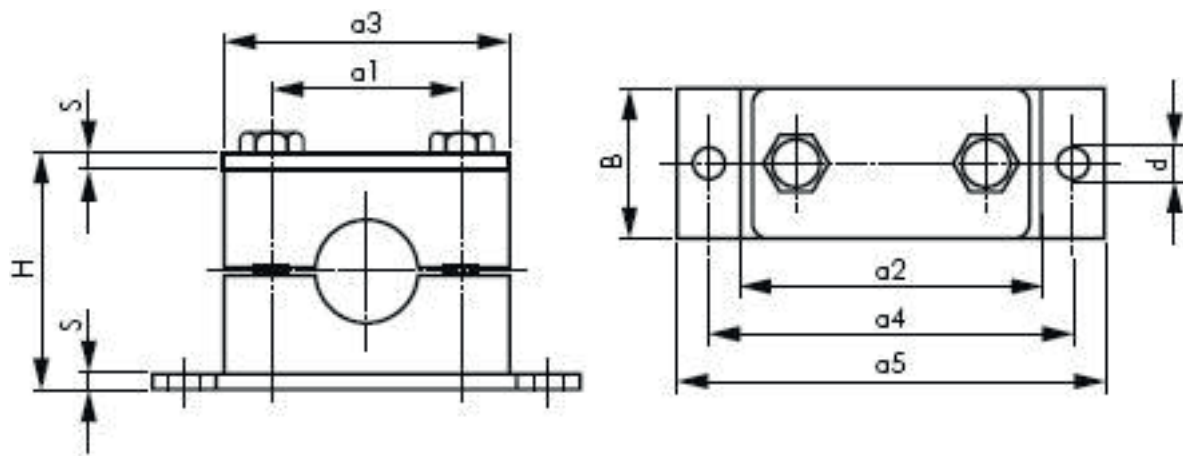


Air pipe systems hose reels

Pipe fittings

Stainless steel - Pipe clamps - Light construction DIN 3015 T1



Size	H(mm)	B(mm)	a1(mm)	a2(mm)	a3(mm)	a4(mm)	a5(mm)	S(mm)	d(mm)
0	32	30	---	30	28	44	58	3	7
1	32	30	20	36	36	50	64	3	7
2	39	30	26	42	40	56	70	3	7
3	41	30	33	50	48	64	78	3	7
4	48	30	40	59	57	73	87	3	7
5	64	30	52	72	70	86	100	3	7
6	72	30	66	88	86	100	116	3	7