

Hafner | 5/3-way solenoid valves

Electrically operated

pneuparts
.com

Manifold, Bistable, low energy

SPECIFICATIONS

Supplied without solenoid coil and plug, you need to order these separately.

Function:

5-3 way solenoid valve, bistable, low energy Manifold.

Materials:

Housing: Aluminium
Seals: NBR

Flow:

G 1/8": 650 l/min
G 1/4": 1250 l/min
G 3/8": 2250 l/min
G 1/2": 3000 l/min

Temperature range:

-10 °C to max. +50 °C

Operating pressure:

3 - 10 bar

Medium:

Filtered compressed air

Switching time:

50 ms | 6 bar, +20°C'

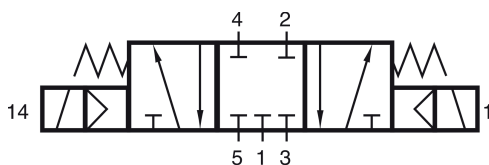
Port size:

G 1/8", G 1/4", G 3/8", G 1/2"

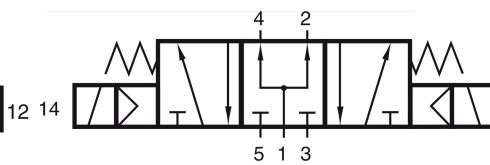


Symbol:

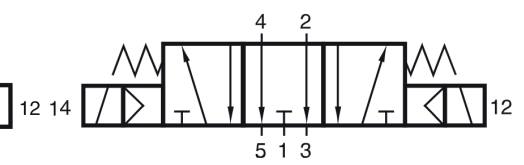
Closed center



Pressure center



Exhaust center



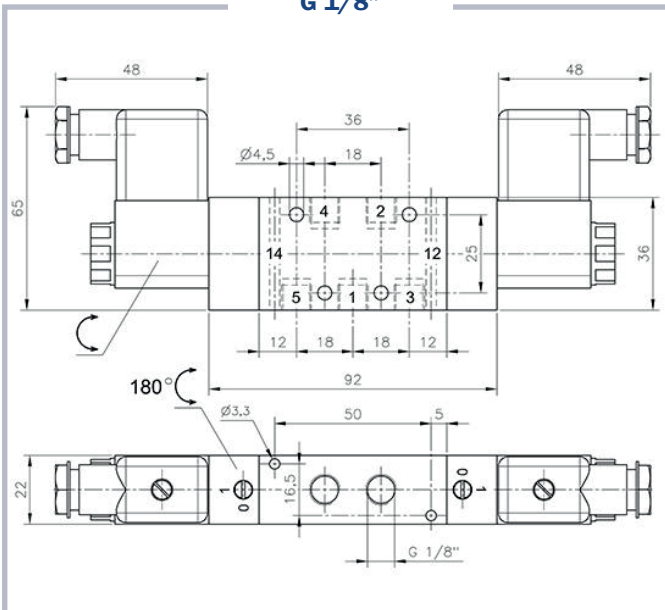
pneuparts.com

Florijn 10 b/c
5751 PC, Deurne
Netherlands

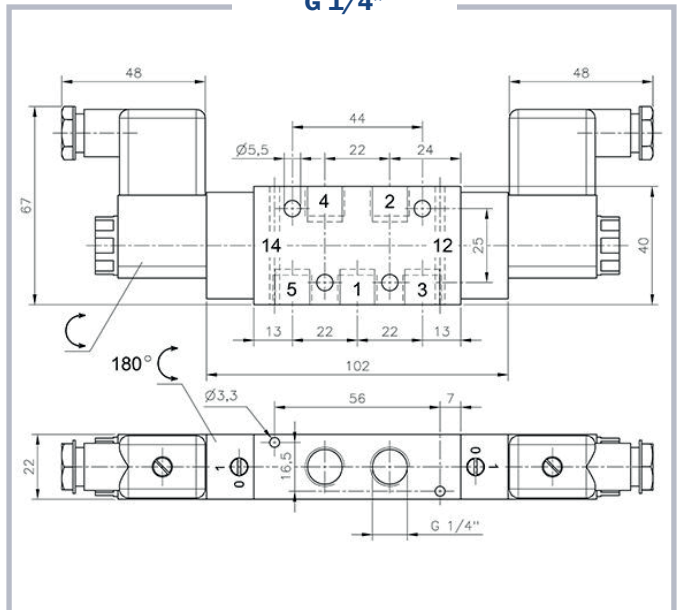
+31 (0)493 763 993
sales@pneuparts.com
www.pneuparts.com

DIMENSIONS

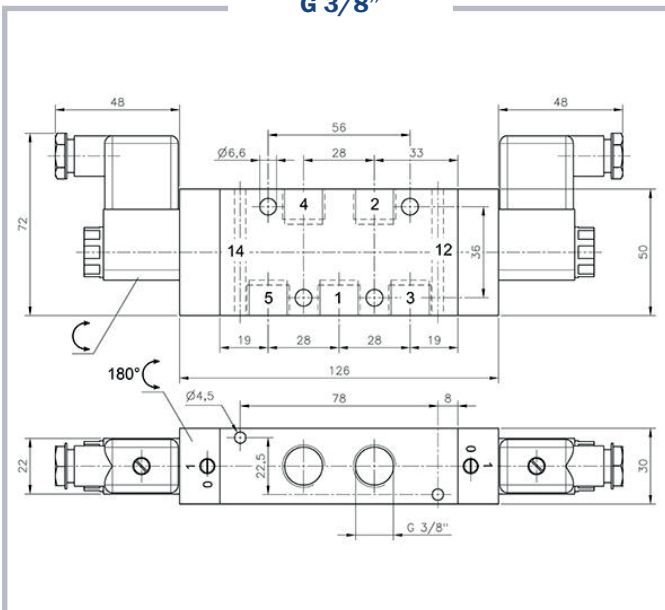
G 1/8"



G 1/4"



G 3/8"



G 1/2"

