

Bistable

SPECIFICATIONS

Supplied without solenoid coil and plug, you need to order these separately.

Function:

5/2-way solenoid valve, Bistable

Materials:

Housing: Aluminium
Seals: NBR

Temperature range:

-10 °C to max. +50 °C

Operating pressure:

1 - 10 bar

Medium:

Filtered compressed air

Switching time:

<50 ms (at 6 bar)

Voltage tolerance:

±10%

Power consumption:

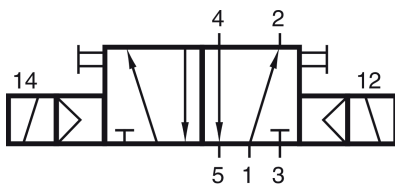
3 W / 5 VA

Insulation class:

Class F

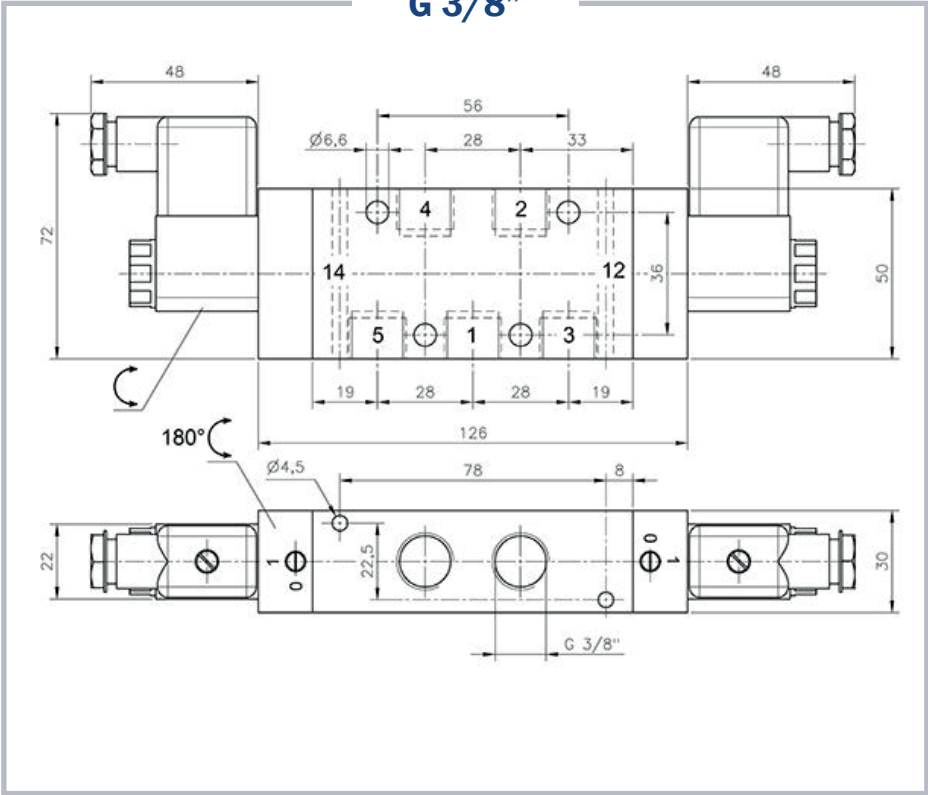


Symbol:



DIMENSIONS

G 3/8"



G 1/2"

