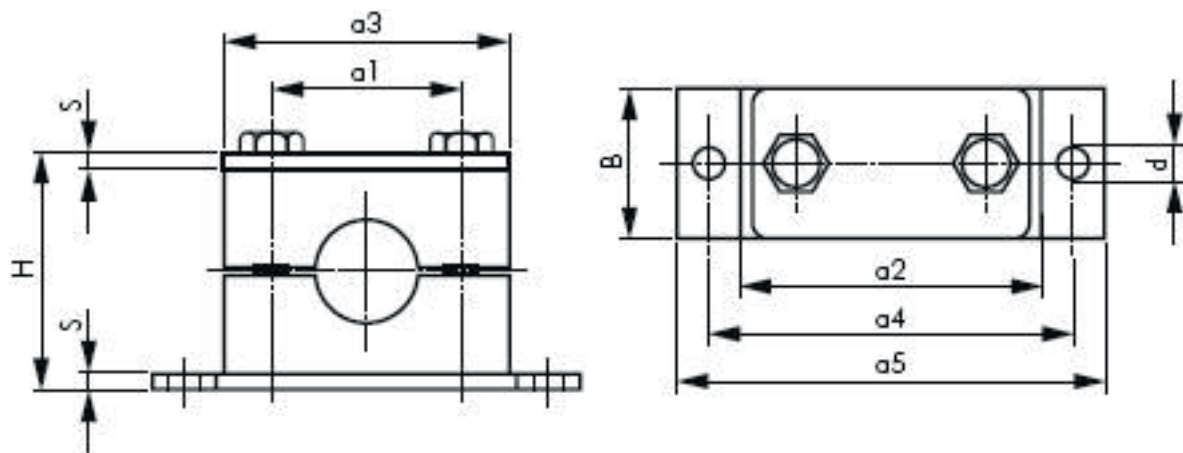


Air pipe systems hose reels

Pipe fittings

Pipe clamps - heavy duty model series -DIN 3015 T2



Size	H(mm)	B(mm)	a1(mm)	a2(mm)	a3(mm)	a4(mm)	a5(mm)	S(mm)	d(mm)
1	48	30	33	73	55	85	113	8	11
2	64	30	45	85	70	97	125	8	11
3	76	30	60	100	85	112	140	8	11
4	110	45	90,5	140	115	160	190	10	14
5	140	60	122	180	152	205	240	10	18