

Activated carbon filters

Futura model series

up to 2500 l/min

Version:

Filtering using the centrifugal principal and sintered filter

Materials:

Body: Grivory® (PA 66), spring hood: POM, diaphragms and seals: NBR

Temperature range:

-10°C to max. +50°C

Input pressure:

1.5 - 16 bar (model series 0: 1.5 - 12 bar)

Media:

Compressed air, neutral gases

Advantages:

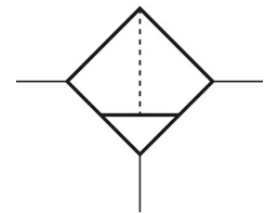
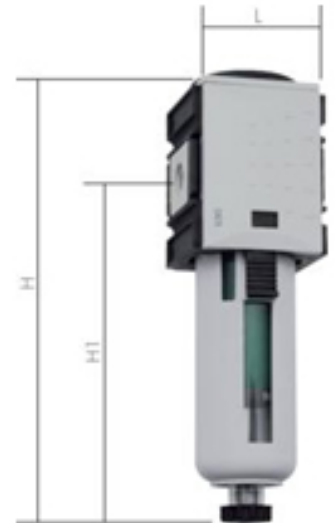
- Simple assembly of single components using coupling kits within a model series.

Residual oil content:

0.005 mg/m³ (Class 0 according to DIN ISO 8573-1)

ATEX:

Operating material without its own potential source of ignition in accordance with Directive 2014/34/EU (not model series 0 or differential pressure indicator / differential pressure gauge)



Article code	Thread	Optimal flow	Version	Bowl volumes	Model series
FA014F	G 1/4"	470 l/min	Standard	12 cm ³	Series 0
FA14F	G 1/4"	470 l/min	Standard	12 cm ³	Series 1
FA38F	G 3/8"	470 l/min	Standard	12 cm ³	Series 1
FA382F	G 3/8"	1700 l/min	Standard	59 cm ³	Series 2
FA12F	G 1/2"	1700 l/min	Standard	59 cm ³	Series 2
FA34F	G 3/4"	2500 l/min	Standard	87 cm ³	Series 4
FA10F	G 1"	2500 l/min	Standard	87 cm ³	Series 4