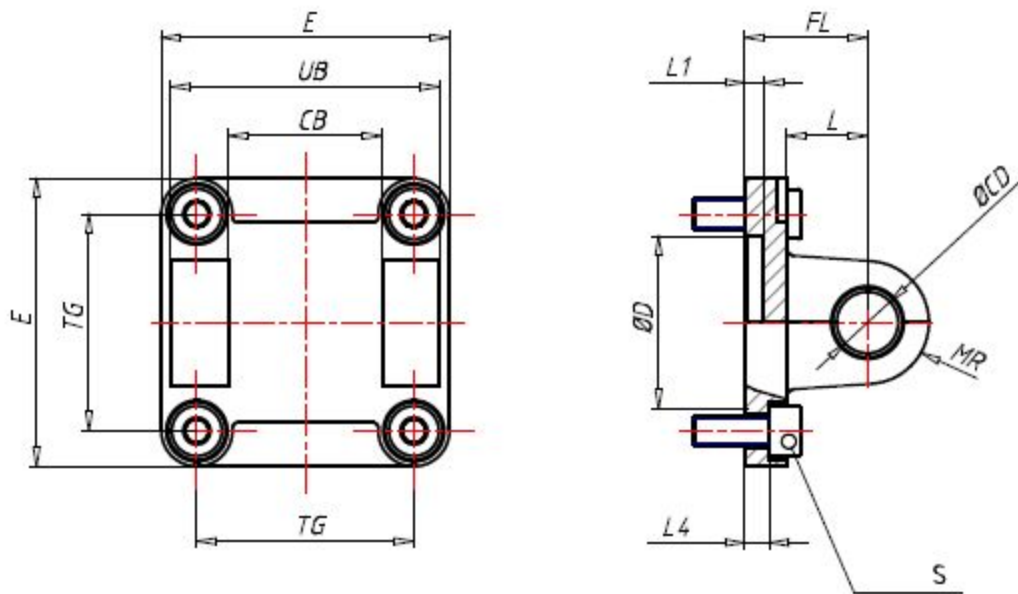


Technical drawings



SUPPC (Supply conditions)	00 - Without screws
PCG (Packaging)	s - single packaging
DI (Ø / mm)	50
TG (TG / mm)	46.5
CB (CB / mm)	32
UB (UB / mm)	60
CD (ØCD / mm)	12
FL (FL / mm)	27
L (L / mm)	16
D (ØD / mm)	40
L1 (L1 / mm)	5
L4 (L4 / mm)	6.5
S (S)	M8X20
MR (MR / mm)	12
E (E / mm)	65