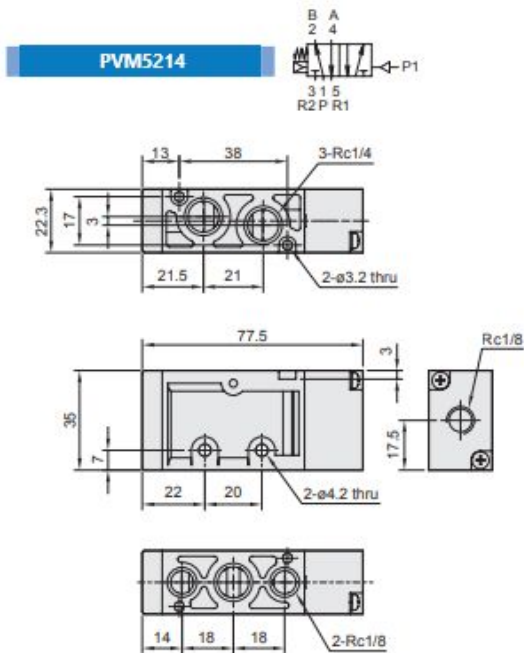




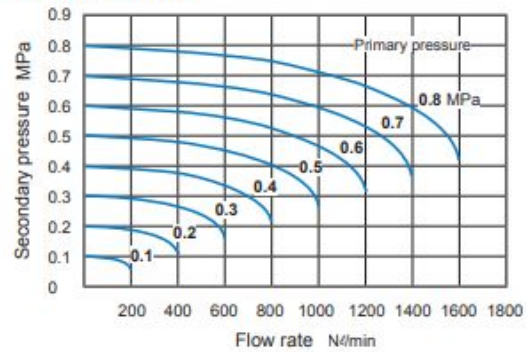
## Specification

Bore No.	8A				
Port size	Rc1/4				
No. of port	3				5
Medium	Air				
Operating pressure range	0~0.8 MPa				
Proof pressure	1 MPa				
Effective orifice	18 mm <sup>2</sup>				
Pilot pressure range	(0.3×P*+0.1)~0.8 MPa				
Ambient temperature	-5~+60°C (No freezing)				
Weight	122 g	134 g	106 g	134 g	179 g

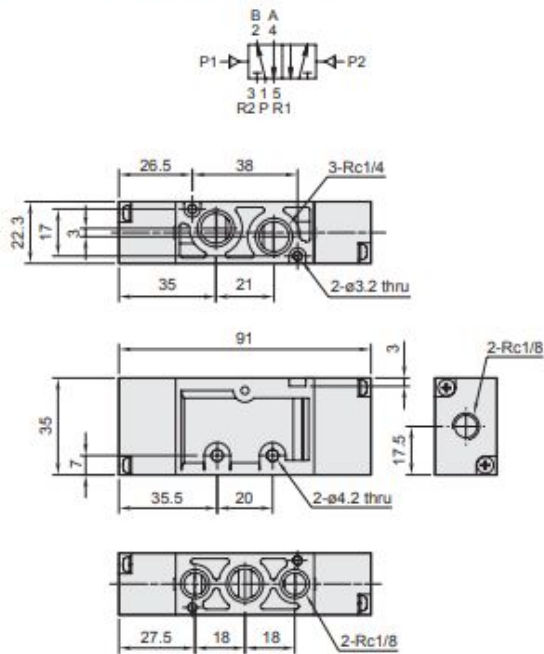
\* P: Operating pressure.



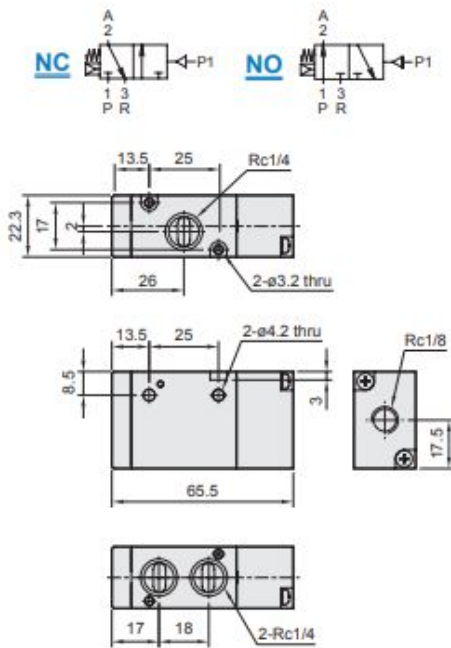
## Flow features



## PVB5214



## PVM3214 NC/NO



## PVB3214

