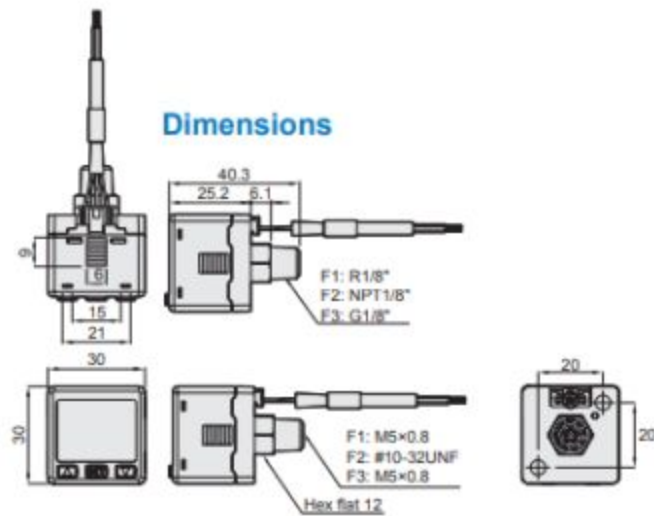
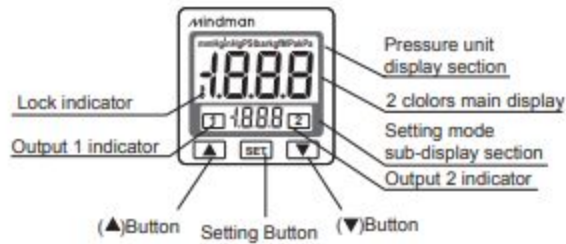
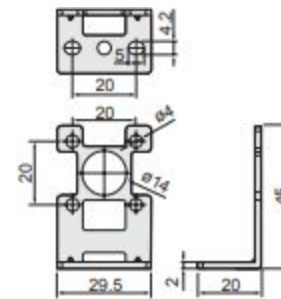
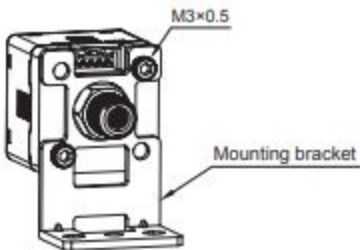
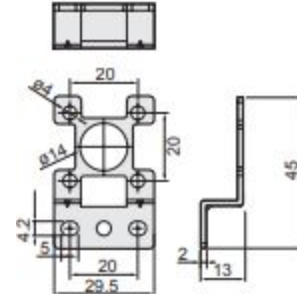
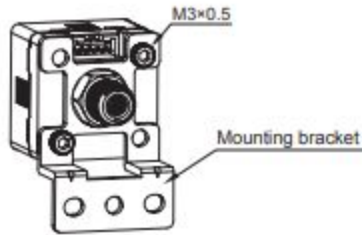


Temperature characteristic	±2.5% F.S. of detected pressure (25°C) at temp. Range of 0~50°C
Port size	F1: R1/8, M5×0.8; F2: NPT1/8, #10~32UNF; F3: G1/8, M5×0.8
Lead wire	Oil-resistance cable (0.15mm ²)
Weight	Approx. 80g (with 2 meter lead wire)

Panel instructions



Mounting bracket



Panel type

