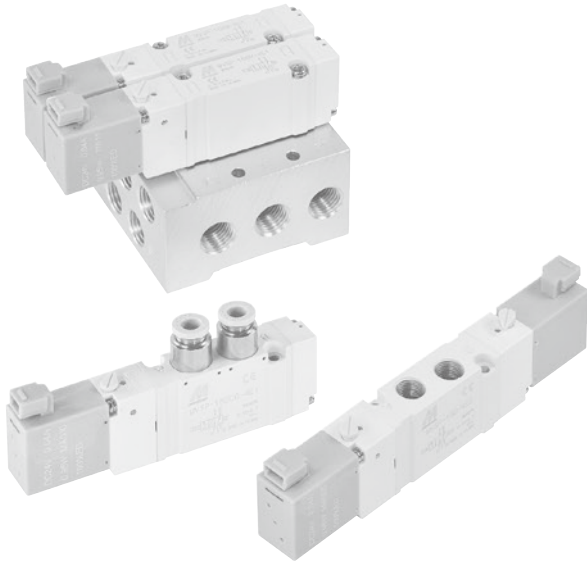


5/2 - 5/3 SOLENOID VALE - Low Series

LEV serie 5/2 - 5/3

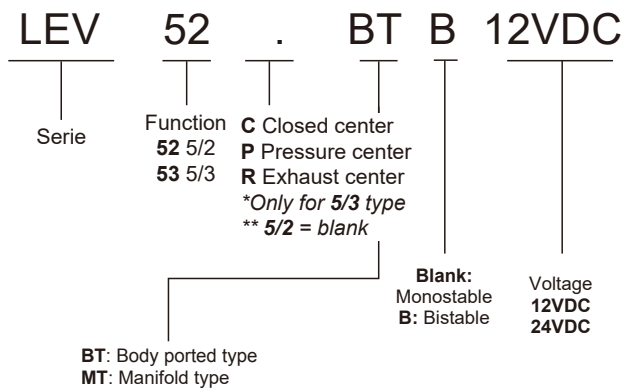


Specification

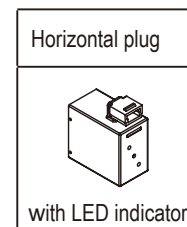
* Refer to page 1-21 for feature.

Model		mono-stable	bis-table	Closed, pressure & Exhaust center
Port size		Rc1/8		
No. of port / position		5 / 2		5 / 3
Medium		Air		
Operating perssure range		0.15~0.7 MPa		0.2~0.7 MPa
Proof pressure		1 MPa		
Effective orifice	Body ported	11 mm ²		9.5 / 14.6 / 9.5 mm ²
	Manifold	10 mm ²		7.5 / 13 / 8 mm ²
Response time	Standard	AC<36ms, DC<23ms		AC<46ms, DC<25ms
		Power consumption Standard		
Ambient temperature		-5~+50°C (No freezing)		
Voltage		AC110V, 220V (50/60)Hz, DC24/12V		
Available voltage range		±10%		
Insulation class		F class		
Weight		83 g	118 g	127 g

Order example of valve



ELECTRIC CONNECTION



Wire length	
-	500mm
-	1000mm

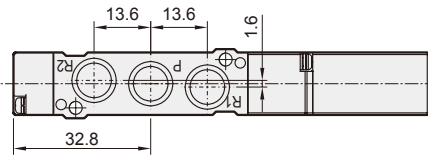
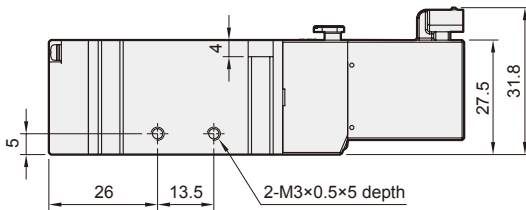
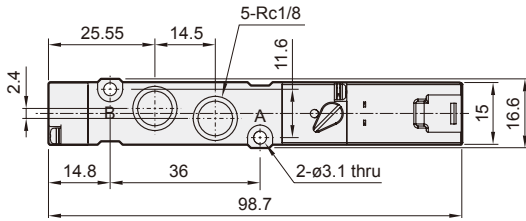
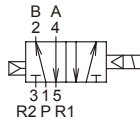
* Standard: 1000 mm
 ** Wire length only for Horizontal plug".

LEV Serie Dimensions

SOLENOID VALVE

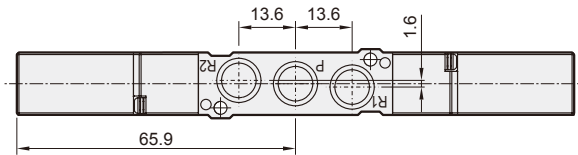
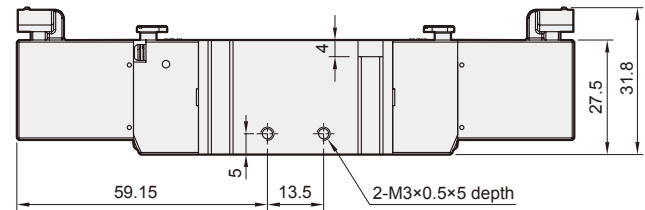
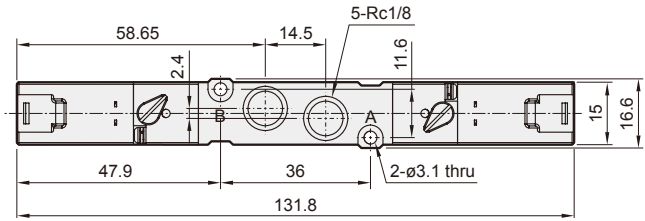
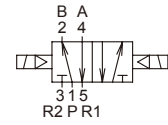
LEV Monostable

Body ported



LEV Bistable

Body ported

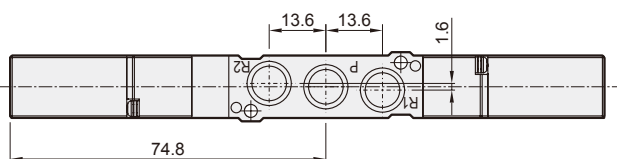
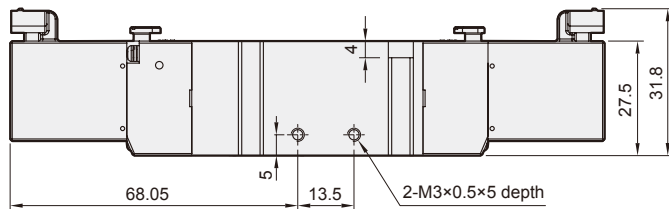
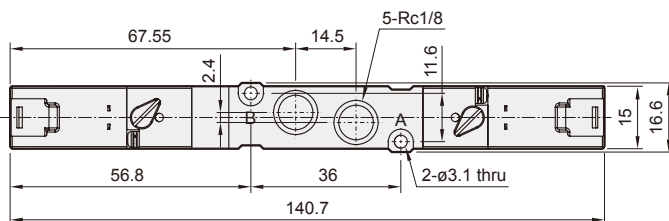
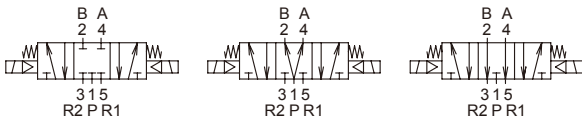


LEV-Bistable closed center

Closed center

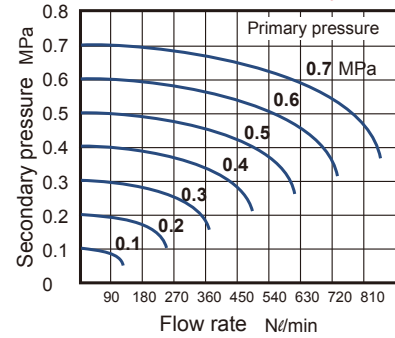
Pressure center

Exhaust center

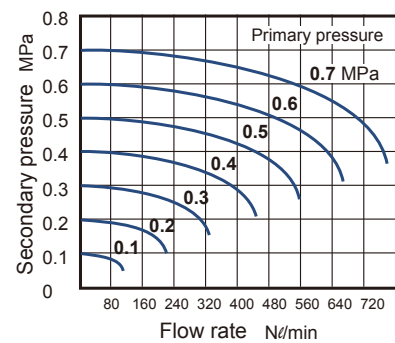


Flow features

LEV monostable/ bistable body ported



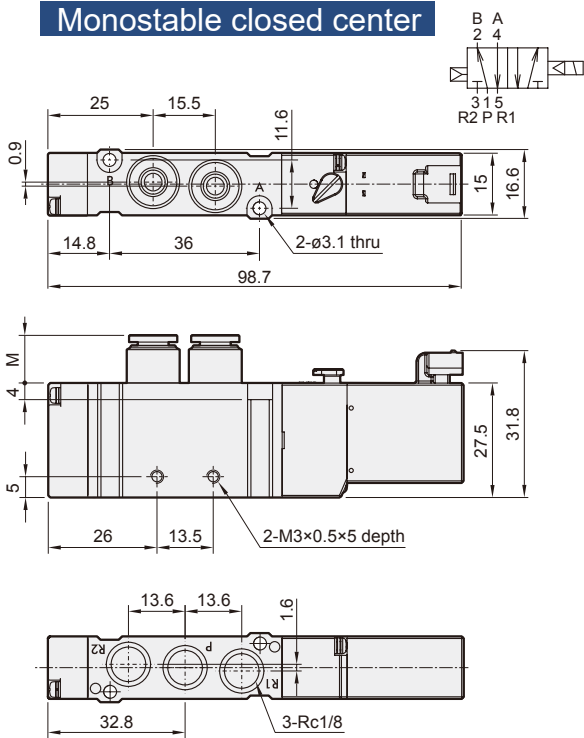
Lev monostable/ bistable manifold



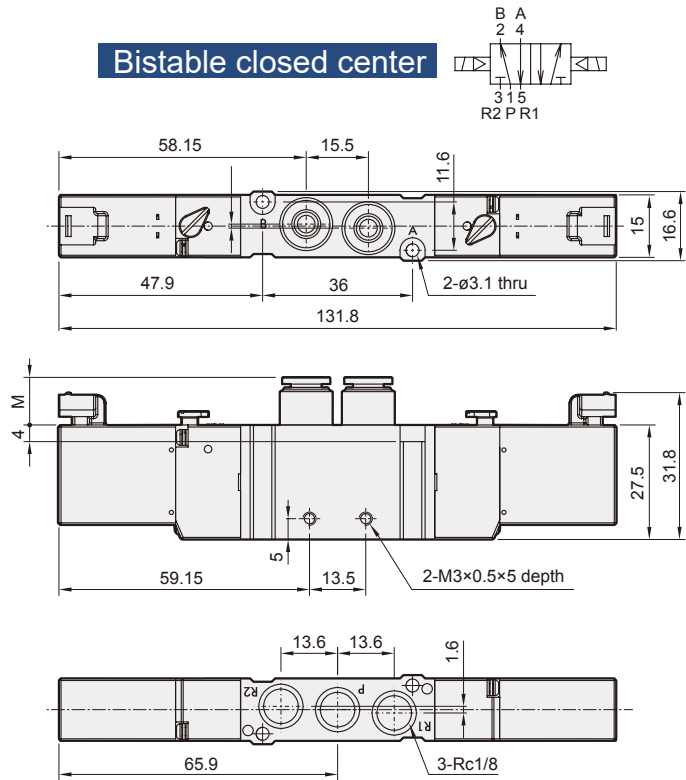
LEV Serie Dimensions

SOLENOID VALVE

Monostable closed center

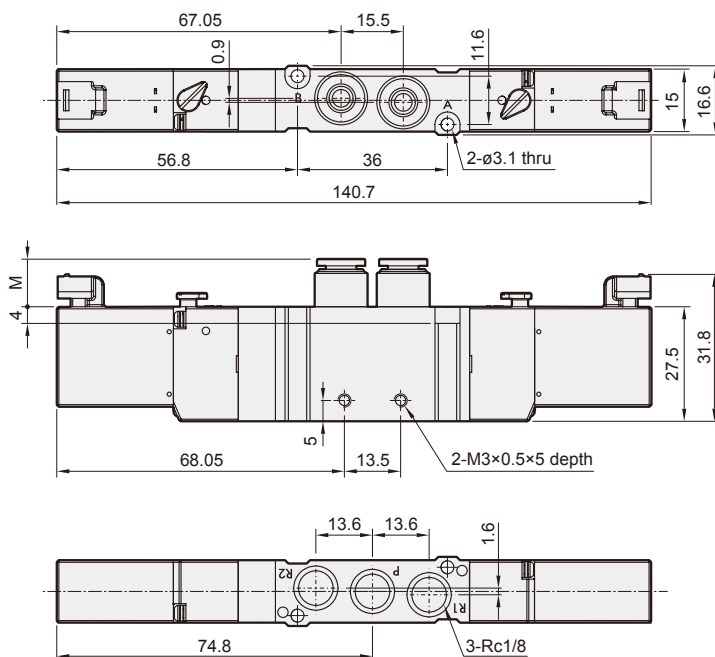
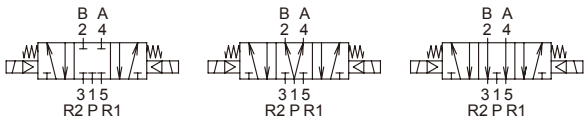


Bistable closed center



LEV-Bistable closed center

Closed center Pressure center Exhaust center



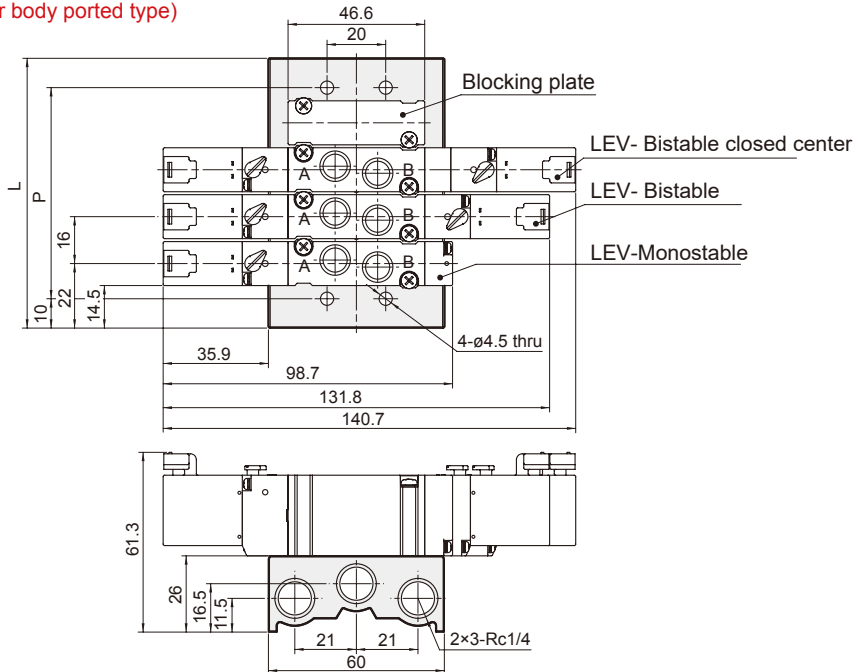
Code Tube fitting	M
C4 (ø4)	(13.8)
C6 (ø6)	(14.7)
C8 (ø8)	(19.3)

Lev Serie Manifold

SOLENOID VALVE

LEV Body ported type

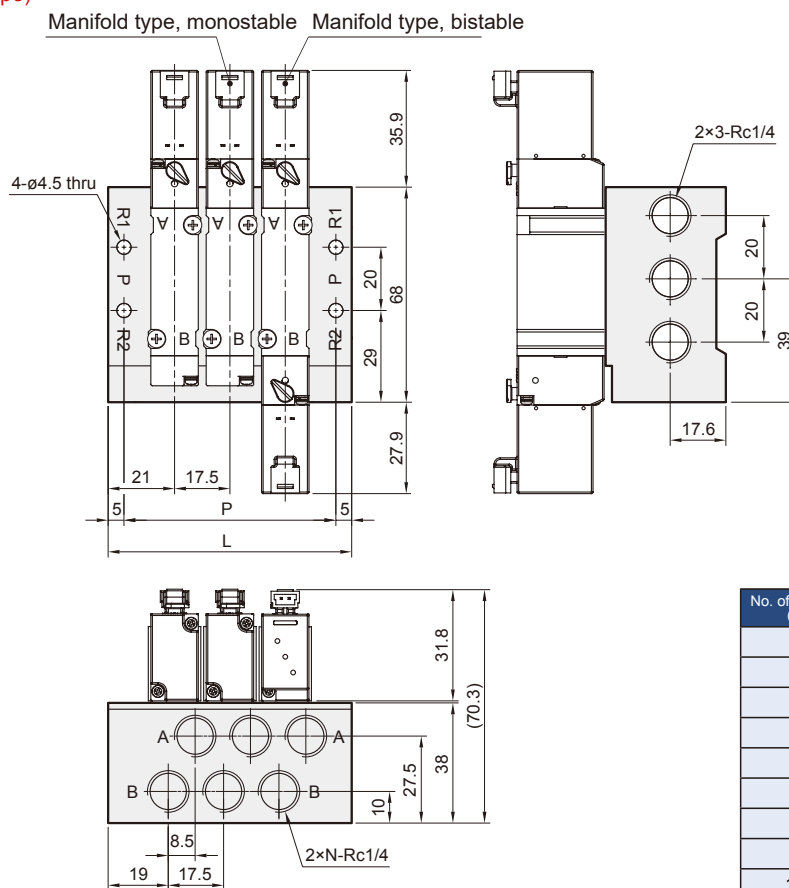
5 port (for body ported type)



No. of stations	P	L
2	40	60
3	56	76
4	72	92
5	88	108
6	104	124
7	120	140
8	136	156
9	152	172
10	168	188

LEV Body ported type

5 port (for manifold type)



No. of stations (N)	P	L
2	49.5	59.5
3	67	77
4	84.5	94.5
5	102	112
6	119.5	129.5
7	137	147
8	154.5	164.5
9	172	182
10	189.5	199.5

LEV Serie Mounting bracket

SOLENOID VALVE

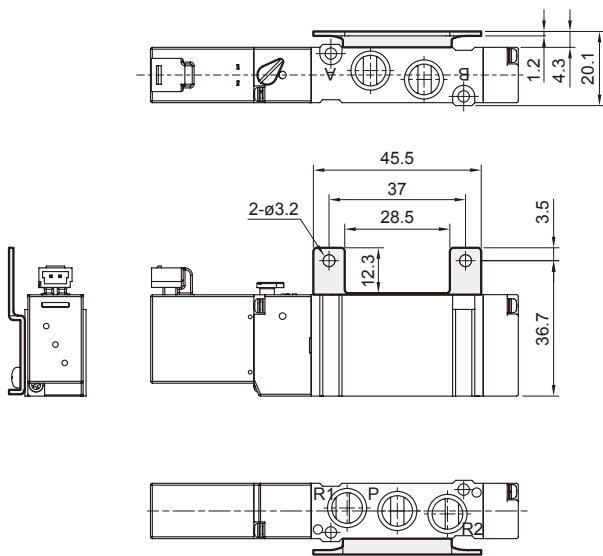
Order example of bracket

* Use the same bracket with MVS.Y.

MB — LEV — H

Model Serie H: Horizontal
V: Vertical

Horizontal



Vertical

