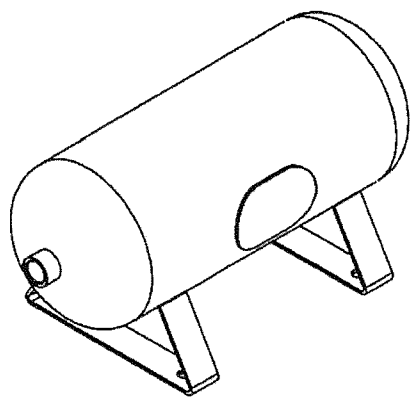


AIR COM  
 stamp type  
 V 5 L PS 11 bar  
 T<sub>min</sub>-10°C T<sub>max</sub>+100°C  
 N' ANNO



		REPLACE DRAWINGS		SURFACE TREATMENTS	
TOLERANCES, IF NOT INDICATED, ACCORDING TO:					
REV.	REASON OF REVISION	DATE	SIGN.	SHEET	A3
DATE	PREPARED	APPROVED by ENG.MNGR.	REVIEWED by Q.C.MNGR.	SCALE	1:3
SIGNATURE				DRAWING No.	HT5BLUE11
				VESSEL LT.5 CE -STANDARD-	
				I REV. 00	