

## Air Compressors, dryers, vessels and parts

### Compressor pumps

#### Compressor pumps CHINOOK-SHAMAL

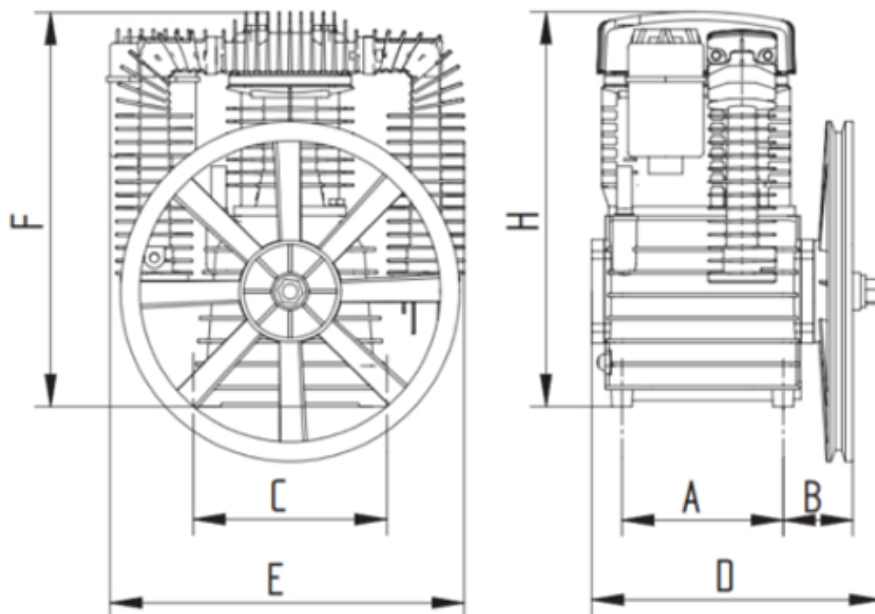
Robust industrial compressor pump  
2 or 3 cylinder two stage pump  
max load of 50%



Article number	<b>CSK11</b>	<b>CSK17</b>	<b>CSK25</b>	<b>CSK28</b>	<b>CSK30</b>	<b>CSK50</b>	<b>CSK60</b>
Type	K11	K17	K25	K28	K30	K50	K60
Cylinders	2	2	2	2	2	2	4
Piston BP (mm)	53	64	90	95	105	120	105
Piston AP (mm)	-	-	50	50	52	60	52
Stroke (mm)	50	50	65	65	84	95	84
Swept volume	220	321	413	460	727	1074	1454
RPM	1000	1000	1400	1000/ 14000	1000/ 1400	1000/ 1400	1000/1400
Displacement (l/min.)	220/321	578	460/	727/ 644	1074/ 1018	1454/ 1504	2036
Air delivered (l/min.)	157	225	462	368/ 512	582/ 1073	859/ 1203	1163/1629
Max pressure (bar)	10	10	15	15	15	15	15
Motor (KW)	1.5	2.2	4	3-4	4-5.5	7.5-11	7.5-11
Flyweel (mm)	280	320	385	385	400	550	550

## Dimensions compressor pumps (mm)

A	126	132	163	163	190	210	244
B	80	100	100	100	135	160	160
C	164	180	206	206	228	290	298
D	245	260	310	310	360	420	445
E	280	320	385	415	415	460	735
F	340	360	520	422	565	660	600
H	330	350	415	422	475	560	490
Weight (kg)	10.3	11.5	22	24	38	71.5	81



# Compressor pumps

## CHINOOK-SHAMAL

**Material:**

Aluminum housing with cast iron cylinder

These compressor pumps have been applied, among other things, to various models of

Creemers, Shamal, Airpress, Concorde and many others

**Maximum pressure**

10 bar

**Stages**

2

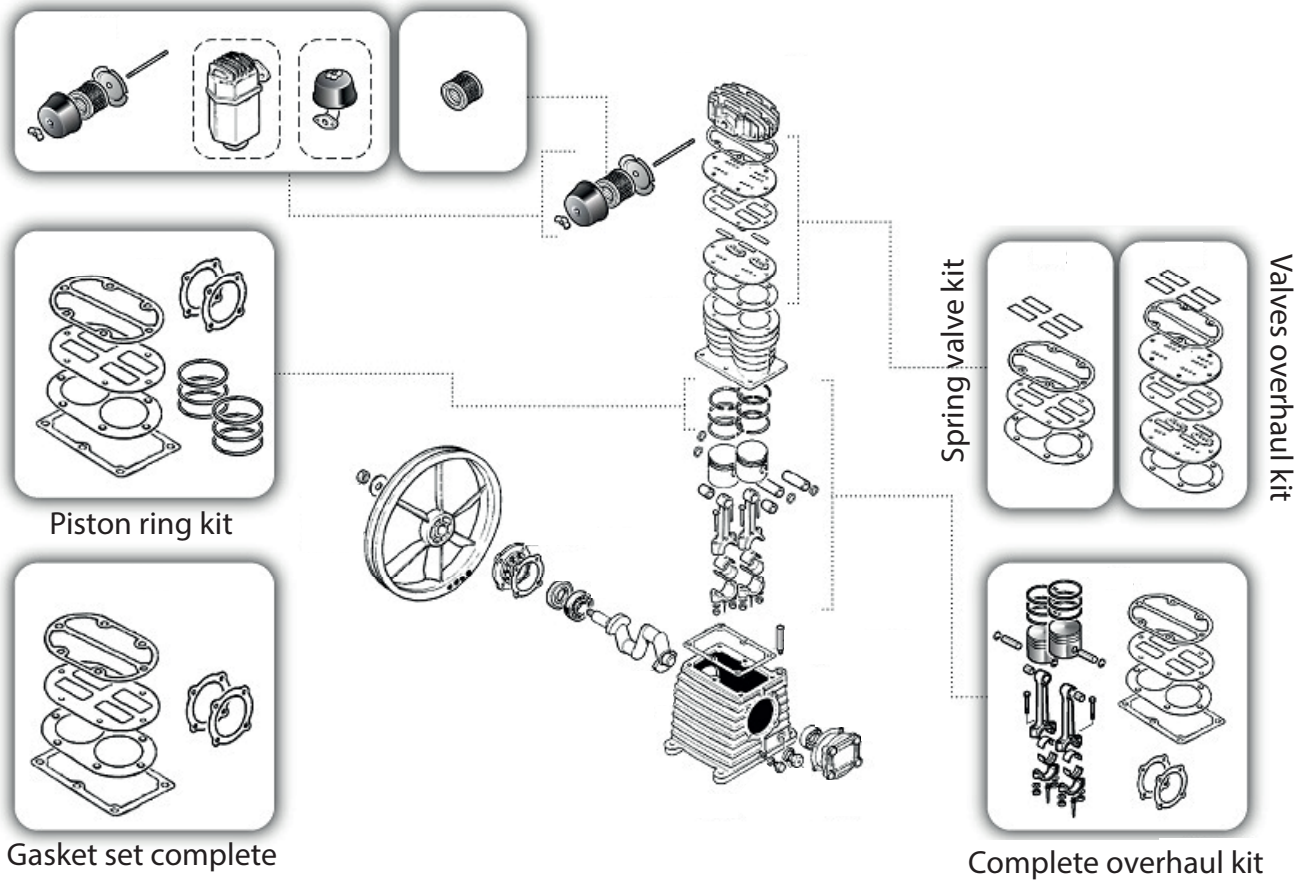


Article code	Capacity	Maximum pressure	Cylinders	Weight gram
CSK11	220 l/min	10 bar	2	10300
CSK17	321 l/min	10 bar	2	12500
CSK25	462 l/min	15 bar	2	21000
CSK28	650 l/min	10 bar	2	35000
CSK30	727 l/min	15 bar	2	38000
CSK50	1074 l/min	15 bar	4	71500
CSK60	1454 l/min	15 bar	4	81000

## Air Compressors, dryers, vessels and parts

### Compressor pumps

Compressor pumps CHINOOK-SHAMAL parts:



## CHINOOK-SHAMAL Parts

### Compressor pumps

#### Gasket set complete

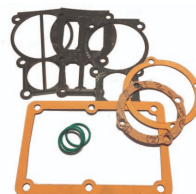
*Includes:*

- Gaskets

#### Pump type

K11	CSKK11PA
K17	CSKK17PA
K25	CSKK25PA
K28	CSKK28PA
K30	CSKK30PA
K50	CSKK50PA

#### Code



#### Spring valve kit

*Includes:*

- Spring valves
- Head gaskets

#### Pump type

K11	CSKK11SP
K17	CSKK17SP
K25	CSKK25SP
K28	CSKK28SP
K30	CSKK30SP
K50	CSKK50SP

#### Code



#### Piston ring kit

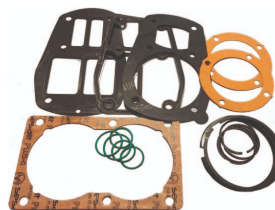
*Includes:*

- Piston rings
- Gaskets

#### Pump type

K11	CSKK11PI
K17	CSKK17PI
K25	CSKK25PI
K28	CSKK28PI
K30	CSKK30PI
K50	CSKK50PI

#### Code



#### Valves overhaul kit

*Includes:*

- Valve plates
- Valves
- Gaskets

#### Pump type

K11	CSKK11VA
K17	CSKK17VA
K25	CSKK25VA
K28	CSKK28VA
K30	CSKK30VA
K50	CSKK50VA

#### Code



#### Complete revision kit

*Includes:*

- Pistons
- Springs
- Gaskets
- Connecting rods

#### Pump type

K11	CSKK11VAREV
K17	CSKK17VAREV
K25	CSKK25VAREV
K28	CSKK28VAREV
K30	CSKK30VAREV
K50	CSKK50VAREV

#### Code

