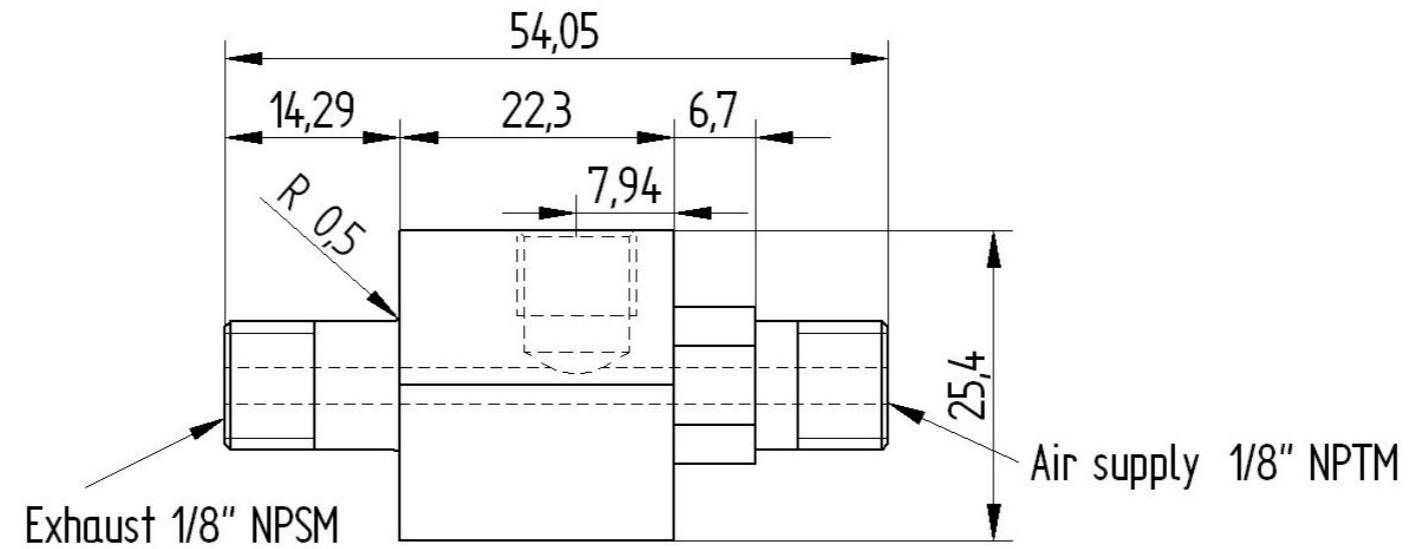


VP-SS-SERIE



SPECIFICATIES · specifications

| | |
|--|----------|
| Max.vacuüm niveau <i>max vacuum degree</i> | [Mbar] |
| Max. zuigvolume <i>max suction air flow</i> | [nl/min] |
| Perslucht verbruik <i>air flow consumption</i> | [nl/min] |
| Werkdruk <i>supply pressure</i> | [bar] |
| Persluchtaansluiting <i>supply port</i> | |
| Vacuüm aansluiting <i>vacuum port</i> | |
| Gewicht <i>weight</i> | [Kg] |
| Materiaal <i>material</i> | |

| | VP-HAVR038HSS | VP-HAVR062HSS | VP-HAVR093HSS | VP-HAVR093MSS | |
|--|---------------|---------------|---------------|---------------|--|
| Max.vacuüm niveau <i>max vacuum degree</i> | -930 | -950 | -950 | -620 | |
| Max. zuigvolume <i>max suction air flow</i> | 4,5 | 11,8 | 28,2 | 34,7 | |
| Perslucht verbruik <i>air flow consumption</i> | 8,7 | 23,1 | 53,6 | 28,2 | |
| Werkdruk <i>supply pressure</i> | 5,2 | 5,2 | 5,2 | 5,2 | |
| Persluchtaansluiting <i>supply port</i> | 1/8 NPTM | 1/8 NPTM | 1/8 NPTM | 1/8 NPTM | |
| Vacuüm aansluiting <i>vacuum port</i> | 1/8 NPTM | 1/8 NPSM | 1/8 NPSM | 1/8 NPSM | |
| Gewicht <i>weight</i> | 0,435 | 0,435 | 0,435 | 0,435 | |
| Materiaal <i>material</i> | RVS | RVS | RVS | RVS | |

BESTELLEN · HOW TO ORDER

RVS ejecteurpomp *Generates vacuum*

VP-HAVR038HSS VP-HAVR062HSS VP-HAVR093HSS VP-HAVR093MSS