

U/ linear Guides classic serie

For cylinders ISO 15552 Ø 32 - 80

Guide units for cylinders

Description

- The unit ensures a precise guide or 4 brass bearing.
- Guide protected by 4 wipers seals.
- Floating cylinder rod coupling on the front plate.
- Delivered with 4 screws for fixing the cylinder.
- Without maintenance.

Working temperature

from 5° to 80°C

Materials:

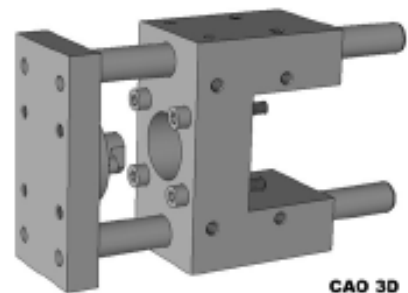
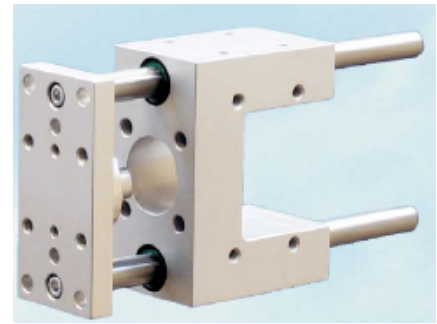
Housing and front plate: Anodized aluminium

Coupling and screws: Zinc steel

Rods: Chromed steel

Maximum speed:

0,8 m/s



Size	4	5	6	7	8
Model	344	345	346	347	348
Ø Cylinder (mm)	Ø 32	Ø 40	Ø 50	Ø 63	Ø 80
Ø Guide rods (mm)	Ø 12	Ø 16	Ø 20	Ø 20	Ø 25
Weight stroke (kg)	1,100	2,100	3,300	4,100	7,500

How to order:



Taille / Size : Ø 32
Ø 40
Ø 50
Ø 63
Ø 80

025mm Stroke mm:
050mm
080 mm
100 mm
125 mm
160 mm
200 mm
250 mm
320 mm
400 mm
500 mm

Course spéciale / Special stroke (maxi 600 mm) : .

Pneuparts.com
Florijn 10 b/c
5751 PC Deurne
Nederland

Phone: +31 (0)493 763 993

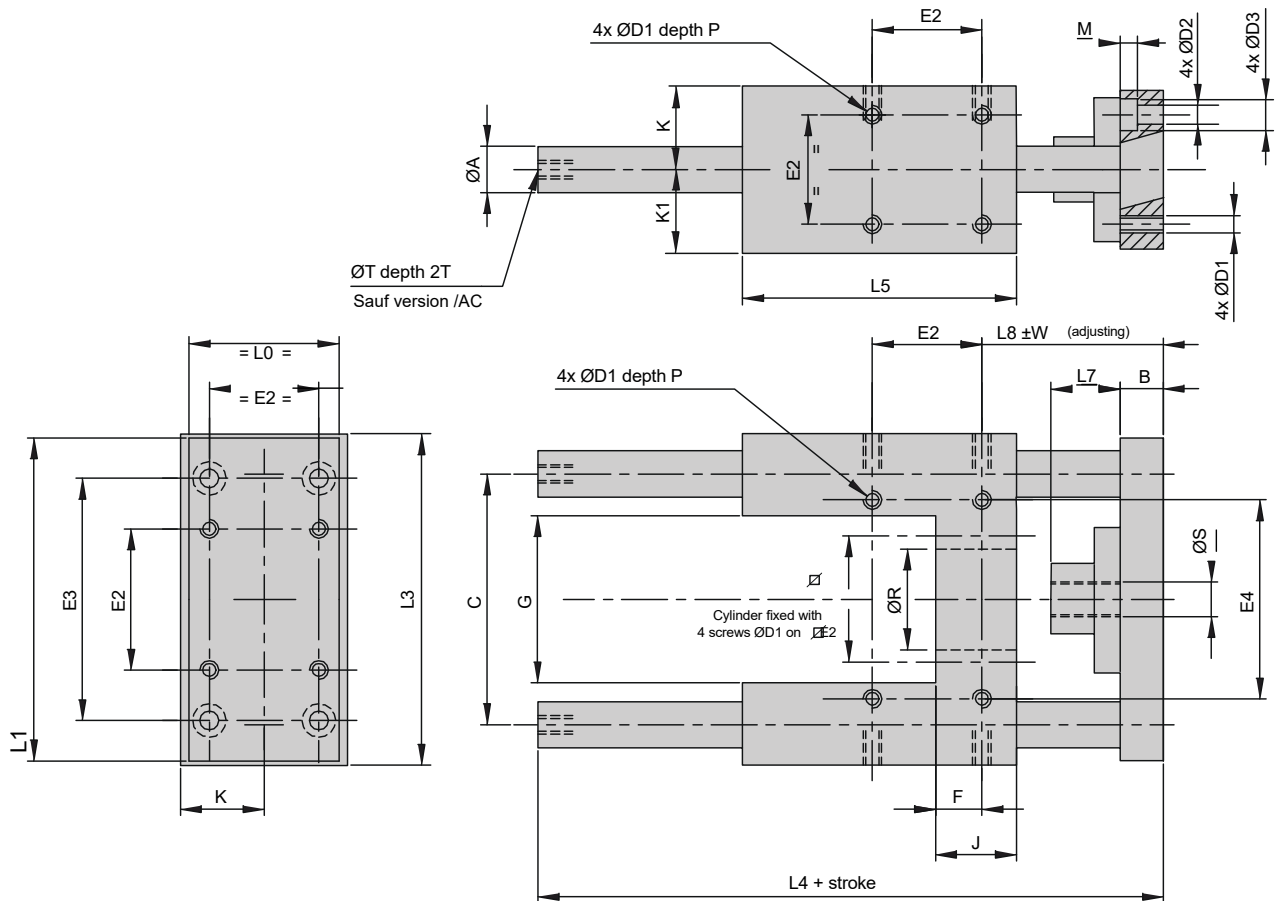
info@pneuparts.com
www.pneuparts.com

BTW: NL8209.12.931B01

KvK: 17126382

Swift: RABONL24

IBAN: NL23RABO01036.31240



Ø Cylinder	Ø32	Ø40	Ø50	Ø63	Ø80
A	12	16	20	20	25
B	11	15	19	19	22
C	74	87	104	119	148
D1	M6	M6	M8	M8	M10
D2	6,6	6,6	9	9	11
D3	11	11	15	15	18
E2	32,5	38	46,5	56,5	72
E3	78	84	100	105	130
E4	61	69	85	100	130
F	4	18	24	20	25
G	50,2	58	70	86	106
J	27	32	39	39	44
K	25	29	35	42,5	52,5
K1	24	29	34	42,5	52,5
L0	45	55	68	80	100
L1	92	112	134	148	180
L3	97	115	137	152	189
L4	147	167	195	195	251
L5	75	88	100	120	150
L7	22	28	28	28	35
L8	62,25	66	73,75	77,75	94
M	6,5	6,5	9	9	11
P	12	12	16	16	20
R	30	35	40	45	45
S	M10x1,25	M12x1,25	M16x1,5	M16x1,5	M20x1,5
T	M6	M6	M8	M8	M10
W	2,5	3	4	4	5