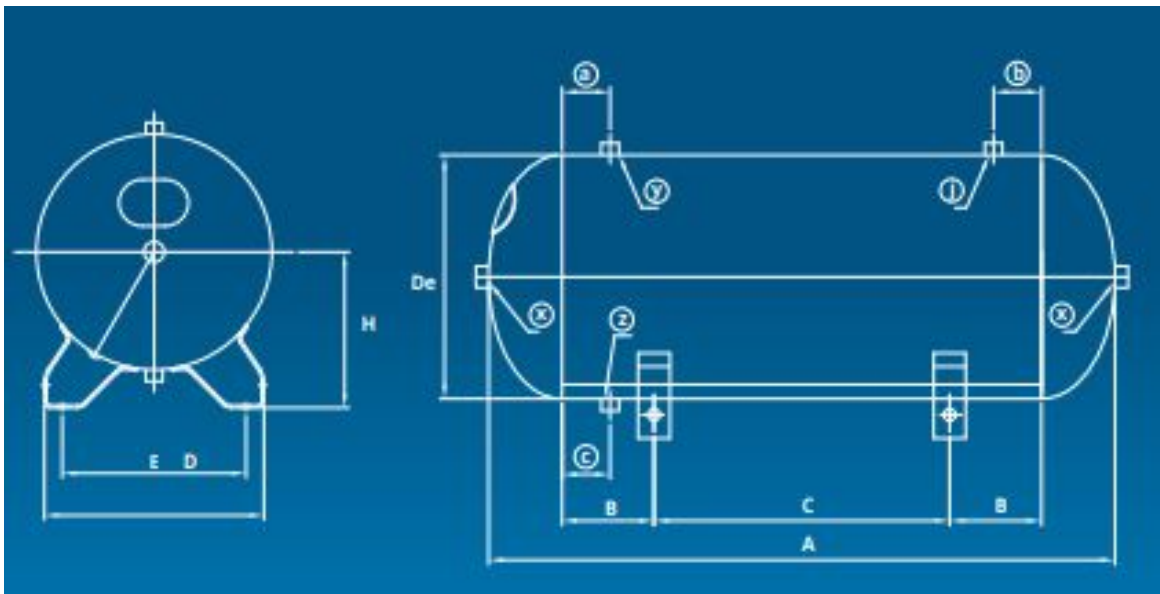


Compressed air vessels and accessories

Horizontal boilers painted RAL5012, 5 to 50 liters, 11 bar

Horizontal compressed air reservoir painted RAL 5012, 11 bar - 24 liter



Liters	Bar	A mm	B mm	C mm	D inch	E inch	F inch	a mm	b mm	c mm	x inch	y mm	j mm	z inch	KG	DE
24	11	592	95	260	180	235	165	xxx	60	50	½	xxx	3/8	3/8	10	240