

# Quick release couplings

**ISO 6150-B - DN 6 mm**

**Male thread**

## ITEM DESCRIPTION

**Profile:**

ISO 6150B

**Pass:**

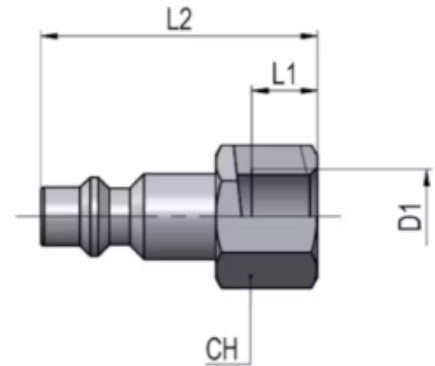
DN 6

**Material:**

Zinc plated steel (ST)

**Safety standard:**

Working conditions conform



-20/+80 °C



0/16 bar



## SPECIFICATIONS

ARTICLE NUMBER	Thread (A)	L1	L1 (IN)	L2	L2 (IN)	CH
CPM14NW6	G 1/4"	11	.433	40	1.575	14
CPM38NW6	G 3/8"	11.5	.453	41.5	1.634	17
CPM12NW6	G 1/2"	14	.551	44	1.732	22

**Pneuparts.com**

Florijn 10 b/c  
5751 PC Deurne  
Netherlands

+31 (0)493 763 99  
info@pneuparts.com  
www.pneuparts.com