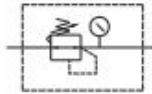




Symbol



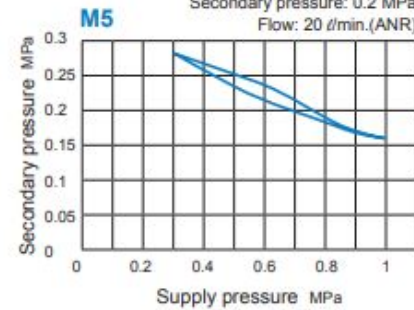
Specification

Medium	Air
Max. operating pressure	1 MPa
Proof pressure	1.5 MPa
Regulated pressure range	0.05~0.7 MPa
Repeatability	±10% F.S.
Ambient temperature	- 5~+60°C (No freezing)
Flow rate (*)	90 ℓ/min
Weight	100g

* Measured at primary pressure 0.7 MPa, secondary pressure 0.6 MPa and pressure drop 0.1 MPa.

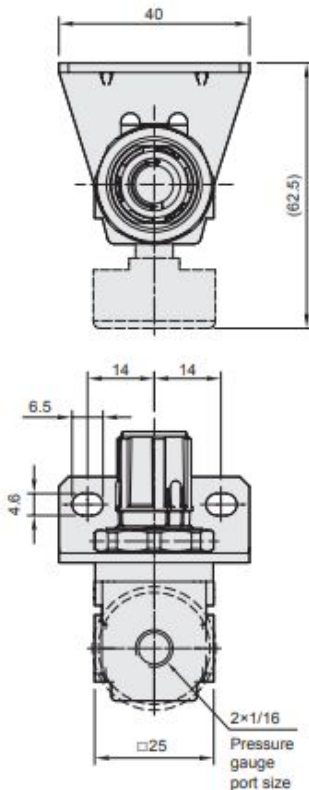
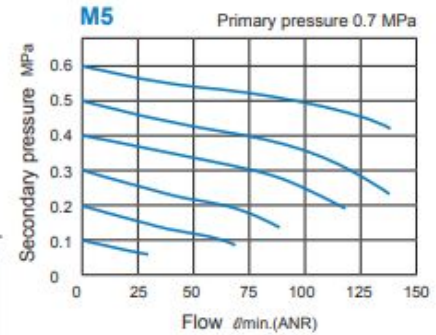
Pressure characteristics

Supply pressure: 0.7 MPa
Secondary pressure: 0.2 MPa
Flow: 20 ℓ/min.(ANR)

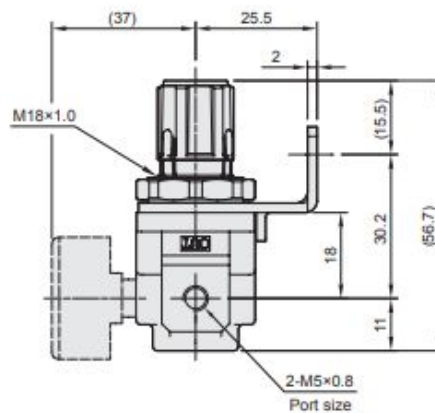
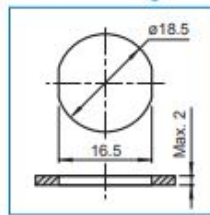


Flow feature

Primary pressure 0.7 MPa

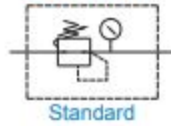


Panel mounting hole





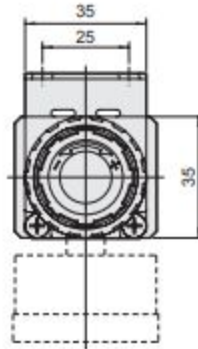
Symbol



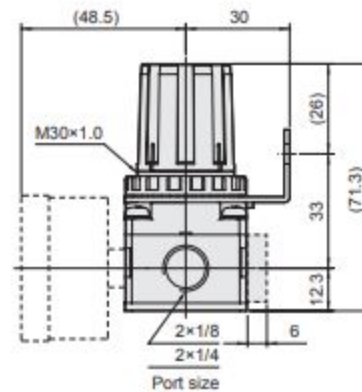
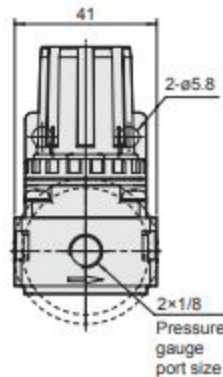
Specification

Bore No.	6A	8A
Port size	1/8	1/4
Medium	Air	
Max. operating pressure	1 MPa	
Proof pressure	1.5 MPa	
Regulated pressure range	Standard type: 0.05~0.85 MPa	
Ambient temperature	- 5~+60°C (No freezing)	
Attachment	L type bracket	
Option	Pressure gauge	
Weight	190 g	

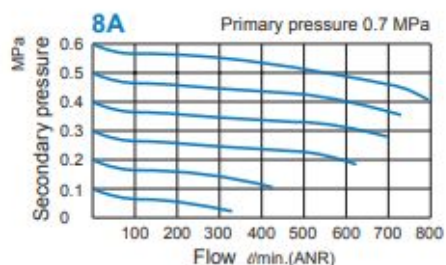
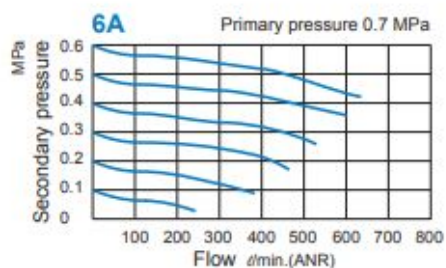
- * The backflow module can not be exchange with gauge. When choosing the flow direction is left to right, the knob is up.
- * Standard type regulator can not release the outlet pressure completely, even if inlet pressure was cut off, and the backflow function (K) must be applied to completely remove the residual pressure.
- * The (Q) non-relieving type regulator is used. When the output pressure is higher than the set pressure, the output pressure will not flow out through the exhaust hole.



L type bracket

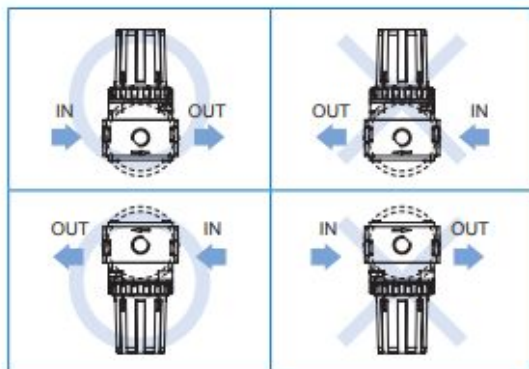


Flow feature

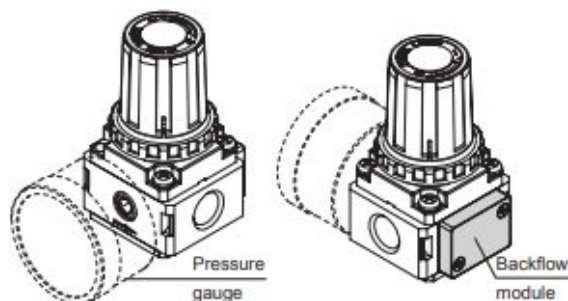


Installation direction

When choosing the flow direction, the backflow module can not be exchange with gauge. If you have special order request, please contact the business.



Precautions

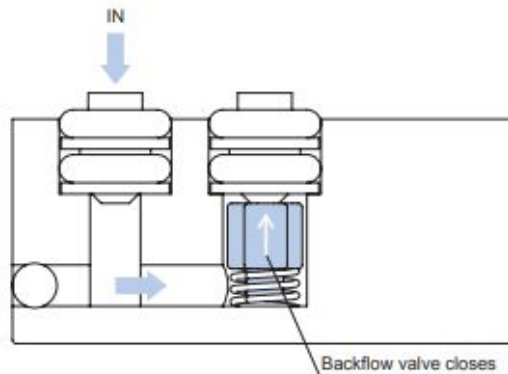


- When the air supply is cut off, the inlet pressure less than outlet pressure, the residual pressure return to the inlet side.
- Please set the inlet pressure to at least 0.05 MPa higher than the set pressure.

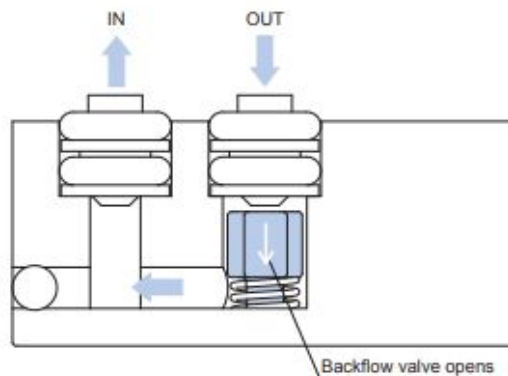
Working principle

Normally, as the inlet pressure (IN) is higher than the setting pressure (pressure of outlet), the backflow valve is closed. If the inlet pressure is cut off, backflow valve will be opened and the outlet pressure is exhausted to IN port.

Normal air supply



Cut off air source



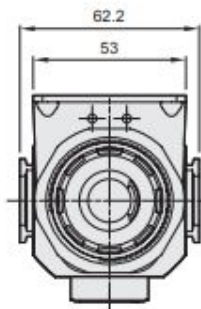


Symbol

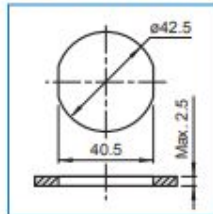


Specification

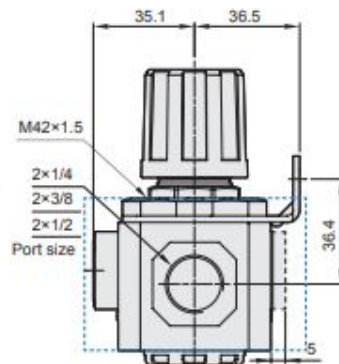
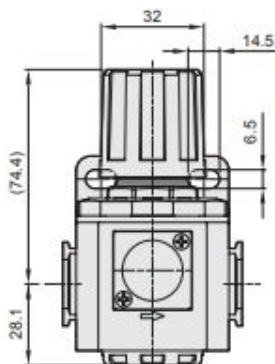
Bore No.	8A	10A	15A
Port size	1/4	3/8	1/2
Medium	Air		
Max. operating pressure	1 MPa		
Proof pressure	1.5 MPa		
Regulated pressure range	0.05~0.85 MPa		
Ambient temperature	- 5~+60°C (No freezing)		
Attachment	Pressure gauge , Bracket		
Weight	270 g		



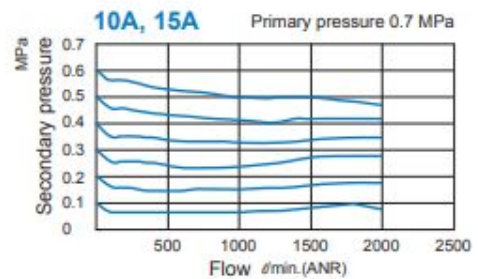
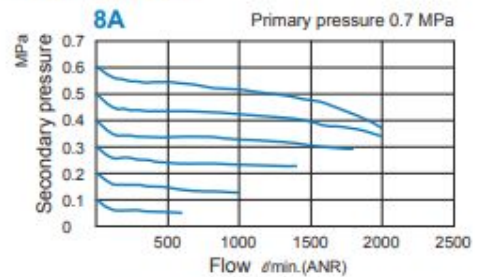
Panel mounting hole



- * The backflow module can not be exchange with gauge. When choosing the flow direction is left to right, the knob is up.
- * Standard type regulator can not release the outlet pressure completely, even if inlet pressure was cut off, and the backflow function (K) must be applied to completely remove the residual pressure.
- * The (Q) non-relieving type regulator is used. When the output pressure is higher than the set pressure, the output pressure will not flow out through the exhaust hole.

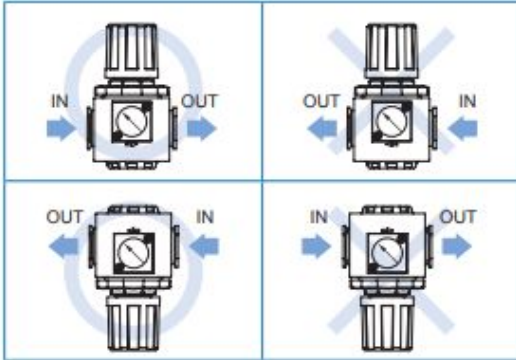


Flow feature

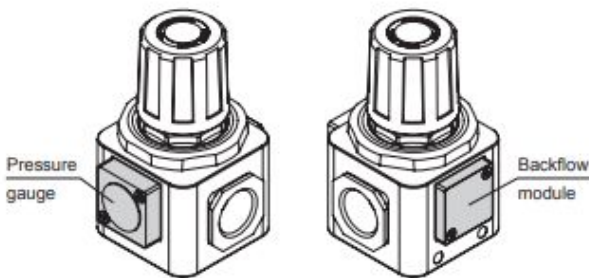


Installation direction

When choosing the flow direction, the backflow module can not be exchange with gauge. If you have special order request, please contact the business.



Precautions

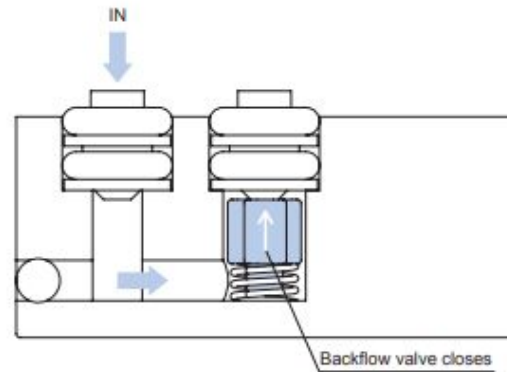


- When the air supply is cut off, the inlet pressure less than outlet pressure, the residual pressure return to the inlet side.
- Please set the inlet pressure to at least 0.05MPa higher than the set pressure.

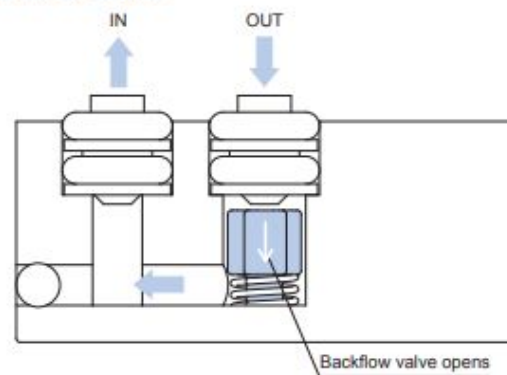
Working principle

Normally, as the inlet pressure (IN) is higher than the setting pressure (pressure of outlet), the backflow valve is closed. If the inlet pressure is cut off, backflow valve will be opened and the outlet pressure is exhausted to IN port.

Normal air supply

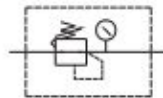


Cut off air source





Symbol

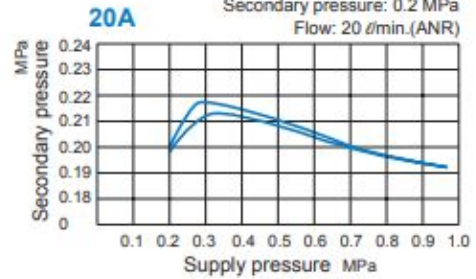


Specification

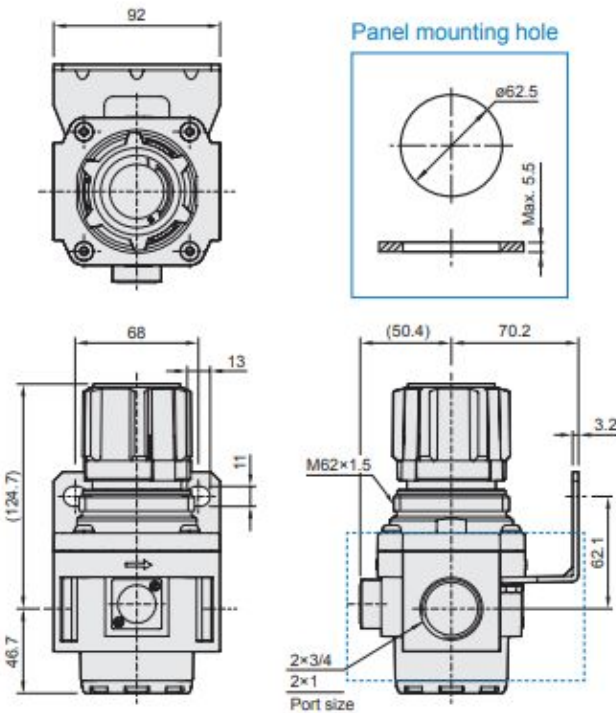
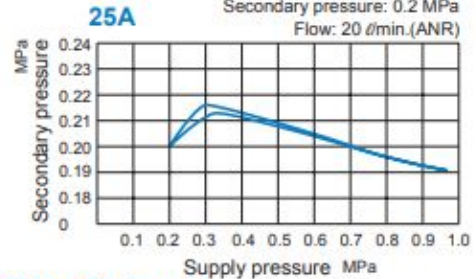
Bore No.	20A	25A
Port size	3/4	1
Medium	Air	
Max. operating pressure	1.5 MPa	
Proof pressure	2 MPa	
Regulated pressure range	0.05~0.85 MPa	
Repeatability	±7% F.S.	
Ambient temperature	- 5~+60°C (No freezing)	
Attachment	Pressure gauge ,L-type bracket	
Weight	1460 g	

Pressure characteristics

Supply pressure: 0.7 MPa
Secondary pressure: 0.2 MPa
Flow: 20 ℓ/min.(ANR)



Supply pressure: 0.7 MPa
Secondary pressure: 0.2 MPa
Flow: 20 ℓ/min.(ANR)



Flow feature

