



## Specification

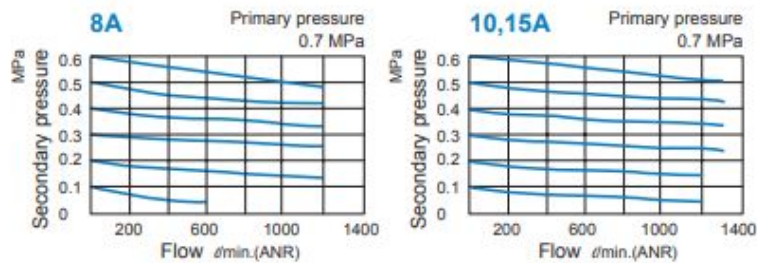
Bore No.	8A	10A	15A
Port size	1/4	3/8	1/2
Medium	Air		
Operating pressure range (*)	0.05~1 MPa		
Proof pressure	1.5 MPa		
Regulated pressure range	0.05~0.85 MPa		
Ambient temperature	- 5~+60°C (No freezing)		
Filter element	Standard: 5μm, Option: 40μm		
Drain capacity	35 cm <sup>3</sup>		
Weight	490 g		

## Symbol



\* Standard unit contains semi-auto-drain function when operating pressure below 0.05 MPa.

## Flow feature

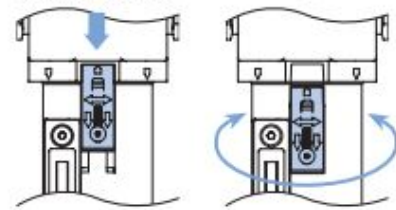


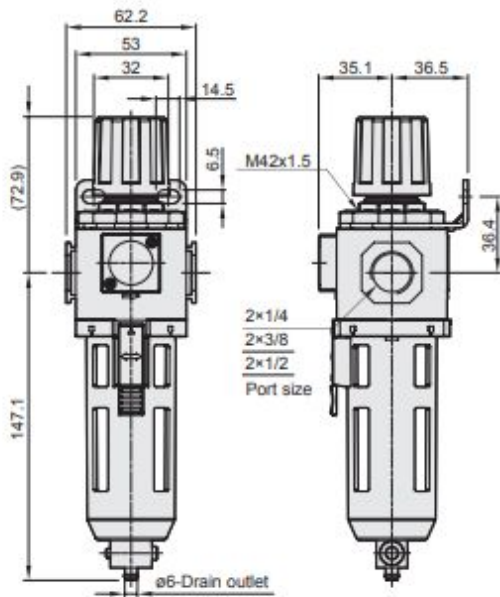
## ⚠ Caution

### Metal bowl

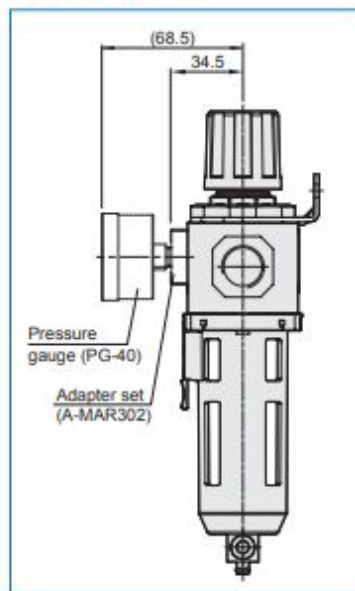
Before assembling or disassembling, push the lock plate down to the end, and confirm that is detached from the body then rotate the bowl, otherwise the lock plate will be deformed or the body will be scratched.

1. Sliding plate down
2. Rotating the bowl

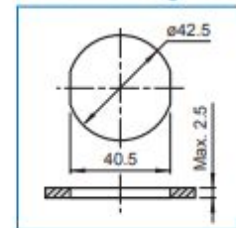




## Accessories



## Panel mounting hole





## Symbol

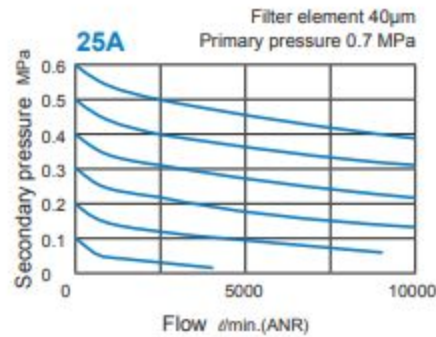
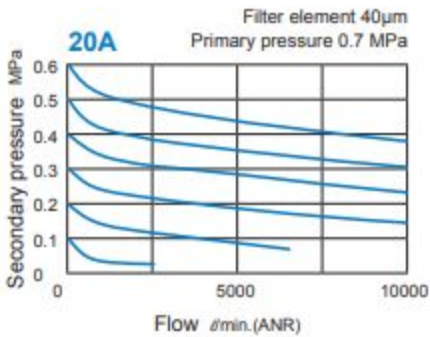


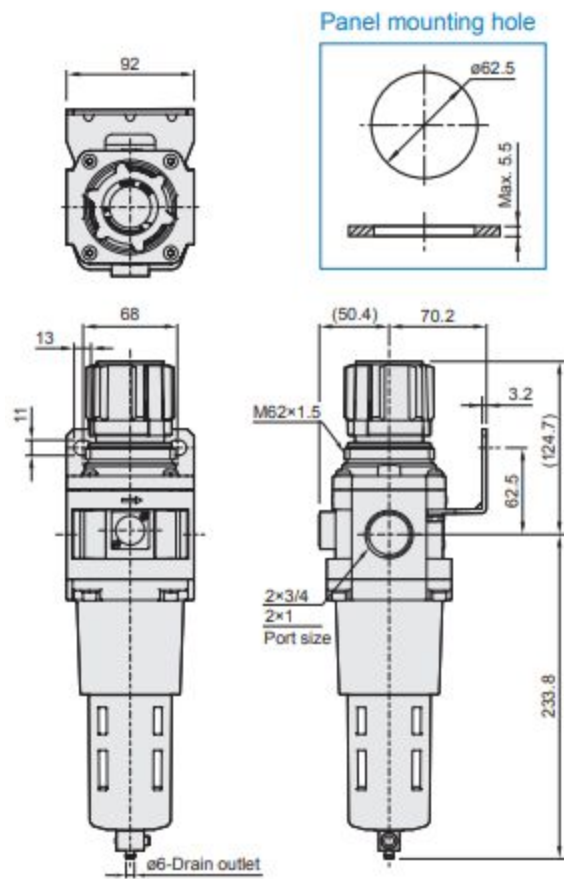
## Specification

Bore No.	20A	25A
Port size	3/4	1
Medium	Air	
Operating pressure range (*)	Nylon bowl, PC bowl: 0.05~1 MPa	
	Metal bowl: 0.05~1.5 MPa	
Proof pressure	Nylon bowl, PC bowl: 1.5 MPa	
	Metal bowl: 2 MPa	
Regulated pressure range	0.1~0.85 MPa	
Ambient temperature	- 5~+60°C (No freezing)	
Filter element	40µm	
Drain capacity	PC, Nylon bowl: 75 cm <sup>3</sup>	
	Metal bowl: 70 cm <sup>3</sup>	
Weight	PC, Nylon bowl: 1940 g	
	Metal bowl: 2060 g	

\* Standard unit contains semi-auto-drain function when operating pressure below 0.05 MPa.

## Flow feature





## Accessories

