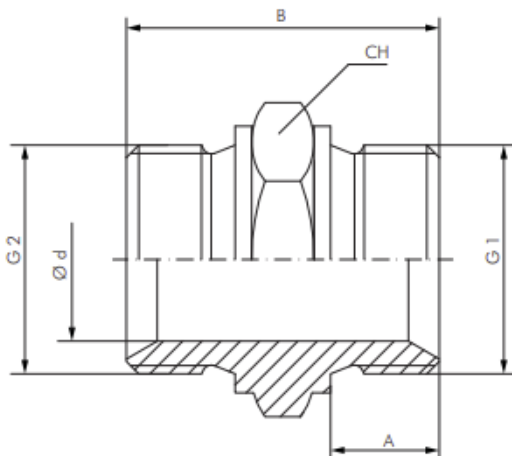


Hydraulic double nipple

G 1/8" to G 2"

Stainless steel and zinc plated steel



G 1	G 2	Ø d	B	A	CH
G 1/8"	G 1/8"	4	26,5	9	14
G 1/4"	G 1/8"				
G 1/4"	G 1/4"	6	32,0	11	19
G 3/8"	G 1/4"				
G 3/8"	G 3/8"	8	35,0	12	22
G 1/2"	G 1/4"				
G 1/2"	G 3/8"				
G 1/2"	G 1/2"	11	40,5	14	27
G 3/4"	G 3/8"				
G 3/4"	G 1/2"				
G 3/4"	G 3/4"	17	45,5	16	32
G 1"	G 1/2"				
G 1"	G 3/4"				
G 1"	G 1"	23	52,5	19	41
G 1 1/4"	G 1"				
G 1 1/4"	G 1 1/4"	30	57,5	20	50
G 1 1/2"	G 1 1/4"				
G 1 1/2"	G 1 1/2"	35	61,5	22	55
G 2"	G 1 1/2"				
G 2"	G 2"	46	68,5	25	70

Information

Double nipple with inch-thread (60° conical hose nipple), up to 400 bar. All statements are intended as non-binding guidelines! We are not liable for data selection not confirmed in writing. Pressure data, unless stated otherwise, relate to liquids from group II at +20 C.

Technical information

Wire

G 1/8" to G 2"

Work pressure (PN) 160 bar to 400 bar

Thread (G)

G 1/8" to G 2"

Material

Stainless steel and zinc plated steel