

Hafner | 3/2-way valves

Pneumatically operated

pneuparts
.com

Monostable

SPECIFICATIONS

Supplied with coil and plug.

Materials:

Body: Aluminium (and one type with Stainless steel)
Seals: NBR

Function:

3/2-way pneumatically operated valve, monostable

Temperature range:

-10 °C to max. +50 °C

Mounting type:

Standard: In-Line
G-series: in-line installation and manifold mounting possible

Operating pressure:

1 to 10 bar

Media:

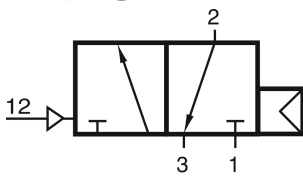
Compressed air, neutral gases

Port orientation:

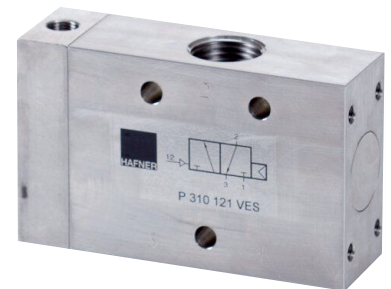
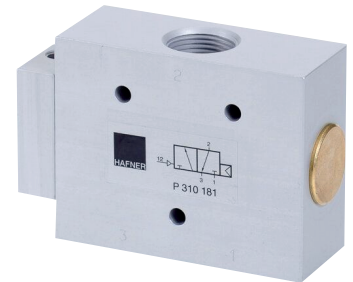
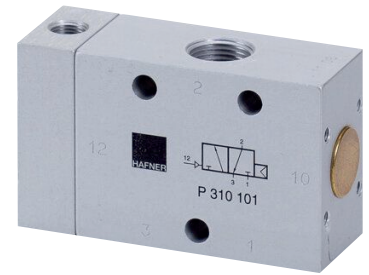
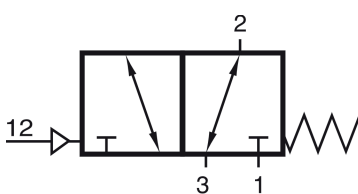
On two sides

Symbol:

Air spring return



Mechanical spring return

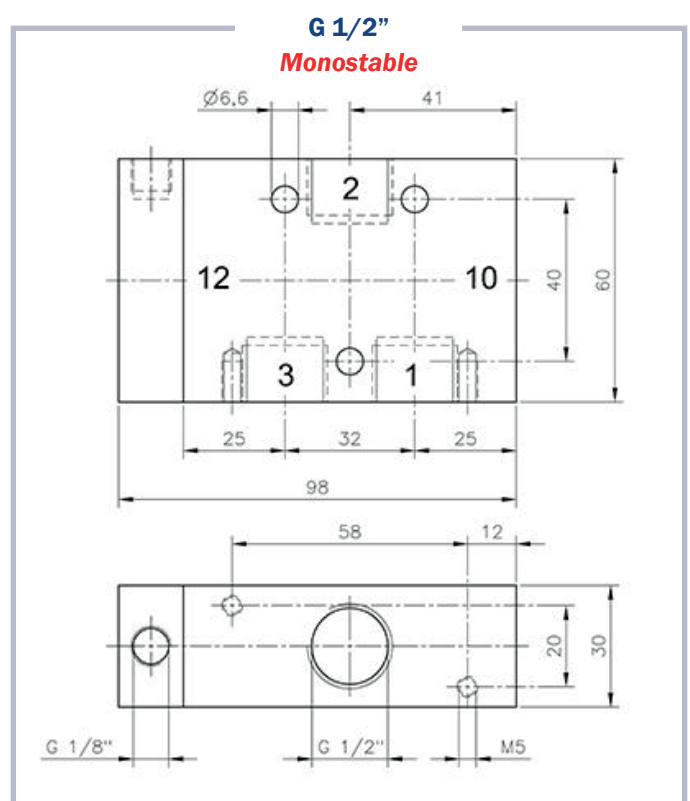
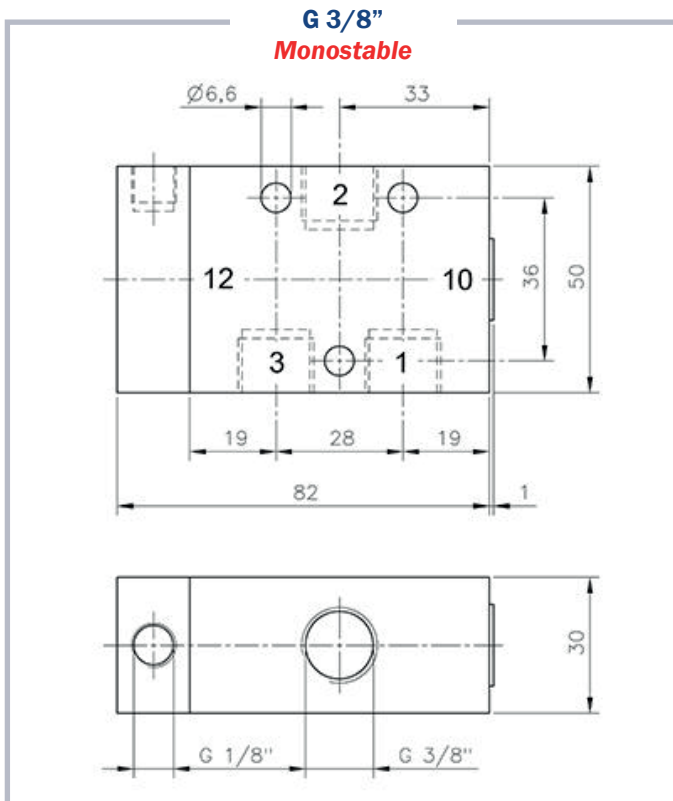
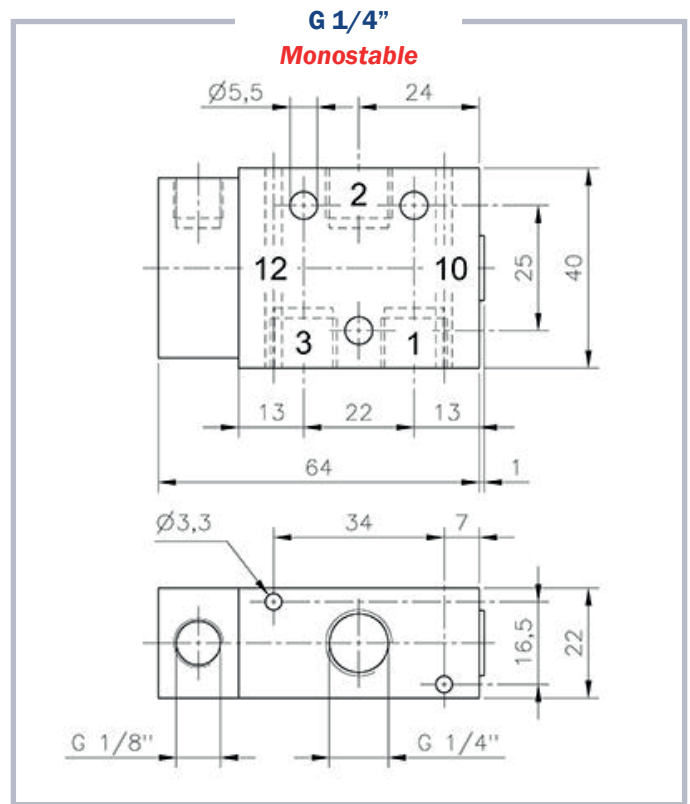
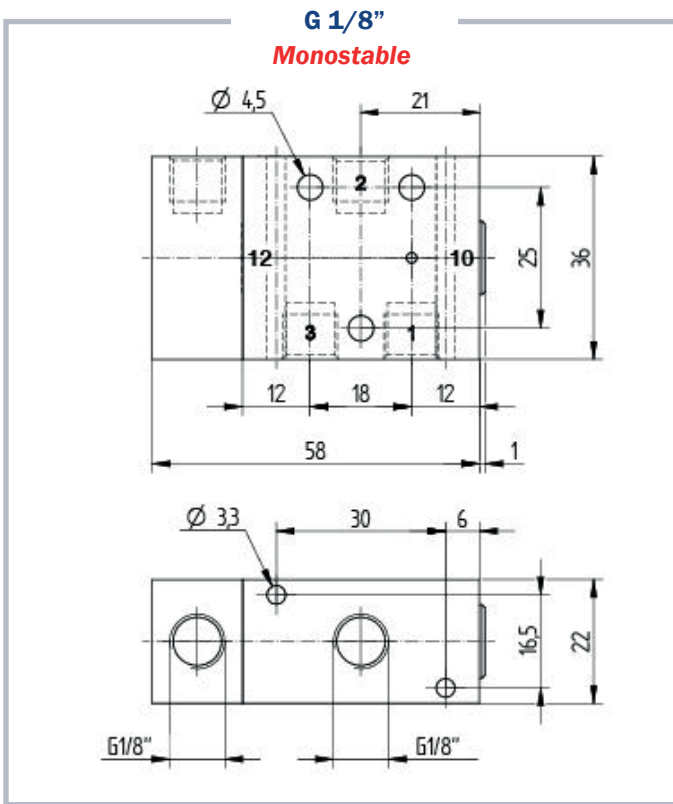


pneuparts.com

Florijn 10 b/c
5751 PC, Deurne
Netherlands

+31 (0)493 763 993
sales@pneuparts.com
www.pneuparts.com

DIMENSIONS



DIMENSIONS

