

Monostable

SPECIFICATIONS

Supplied with coil and plug.

Materials:

Body: Aluminium
Seals: NBR

Function:

3/2-way pneumatically operated valve, monostable
Normally closed (NC) or normally open (NO)

Temperature range:

-5 °C to max. +60 °C

Operating pressure:

0 to 8 bar

Pilot pressure:

1 to 8 bar

Media:

Compressed air, neutral gases

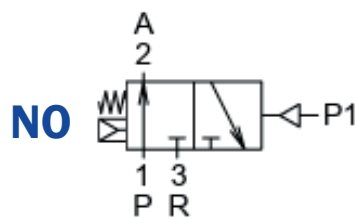
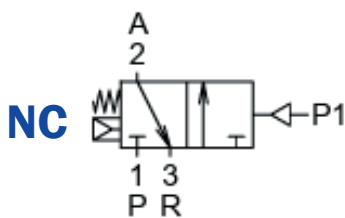
Effective orifice:

12, 18 or 50 mm²

**Depending on (thread)type*



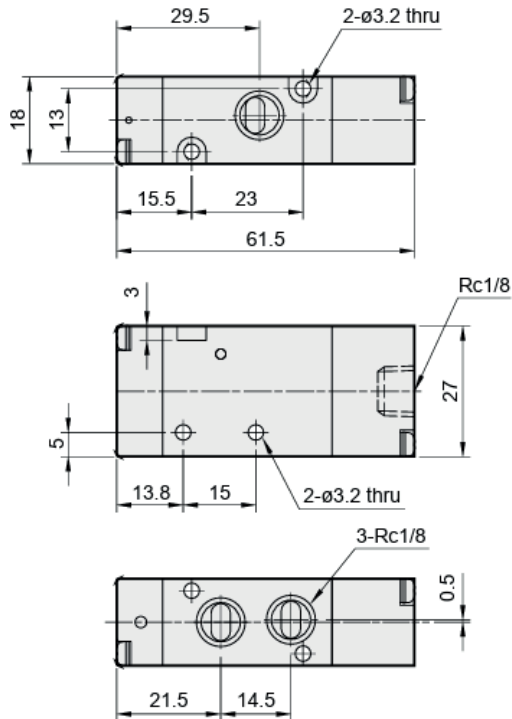
Symbol:



DIMENSIONS

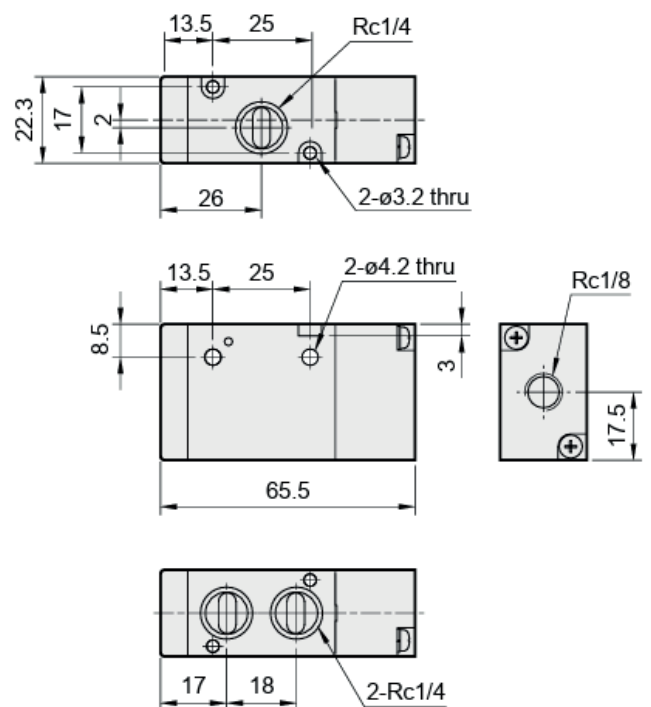
G 1/8"

Monostable



G 1/4"

Monostable



G 1/2"

Monostable

