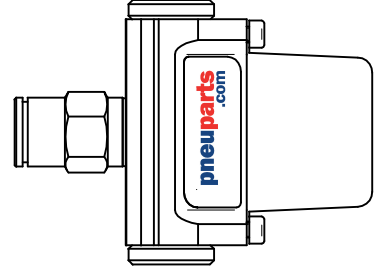
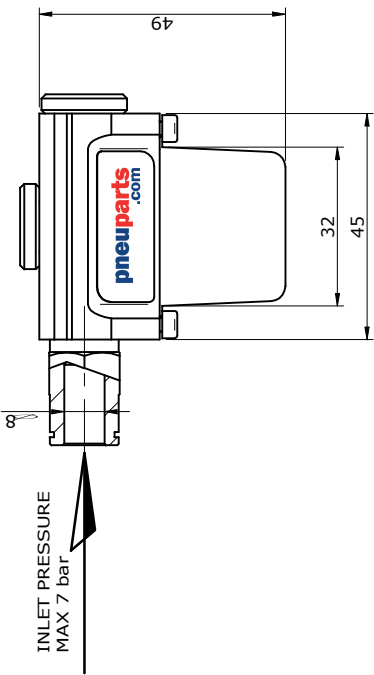
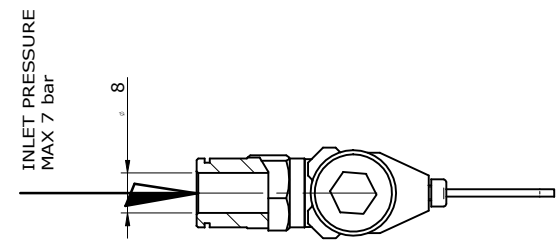
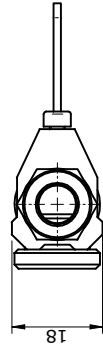
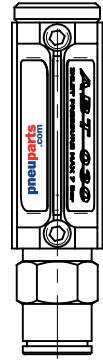


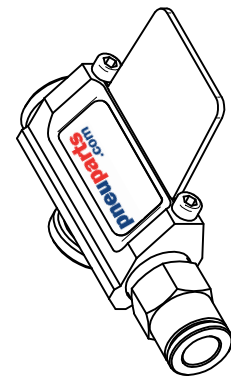
1 2 3 4 5 6

MOUNTING AIR KNIVES SIDE VIEW

MOUNTING AIR KNIVES REAR VIEW



CONSUMPTION PERFORMANCE			
Double slot opening = 0.1 mm per slot side			
Pressure (Bar)	Air consumption (NL/min)	Air consumption (m ³ /h)	Thrust force measured at a distance of 200 MM (gram)
1	142	8.5	61
2	250	15	123
3	352	21.1	200
4	442	26.5	280
5	508	30.5	355
6	612	36.5	445



TECHNICAL PRODUCT SHEET

DATE: 03/01/2017
 AUTHOR: L Lombardi
 WEIGHT: 0,000 kg
 SCALE: 1:1
 CODE: AK30
 REV: 00

AIR BLADE L=30 mm

pneuparts.com