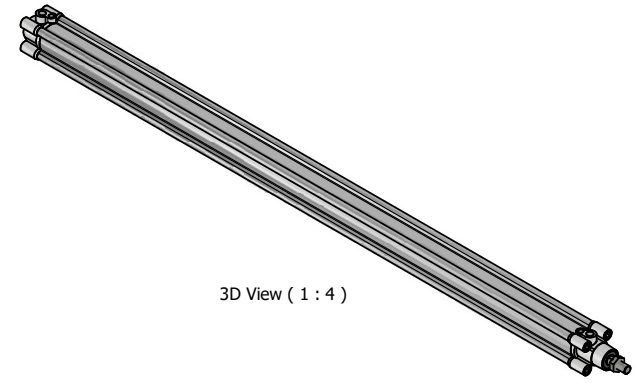
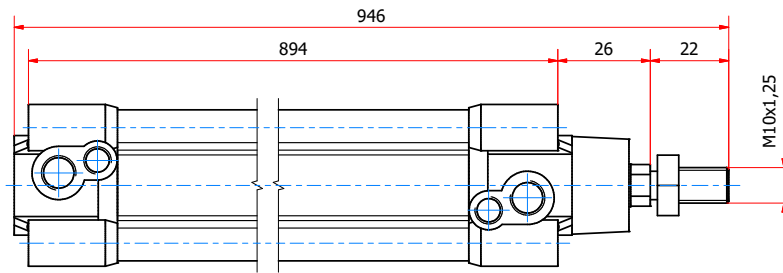
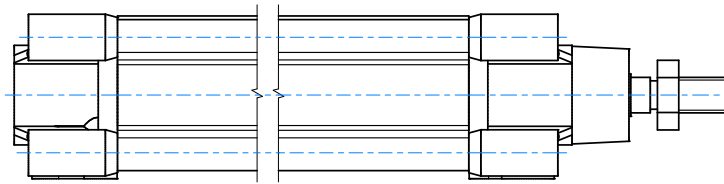


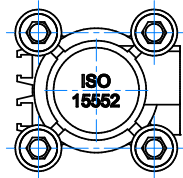
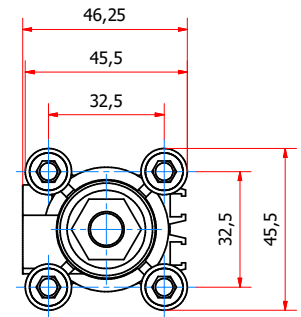
3D Back view ( 1 : 4 )



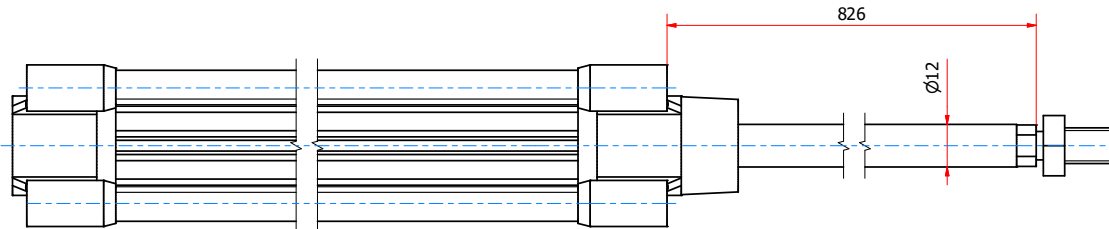
3D View ( 1 : 4 )



( 1 : 1 )



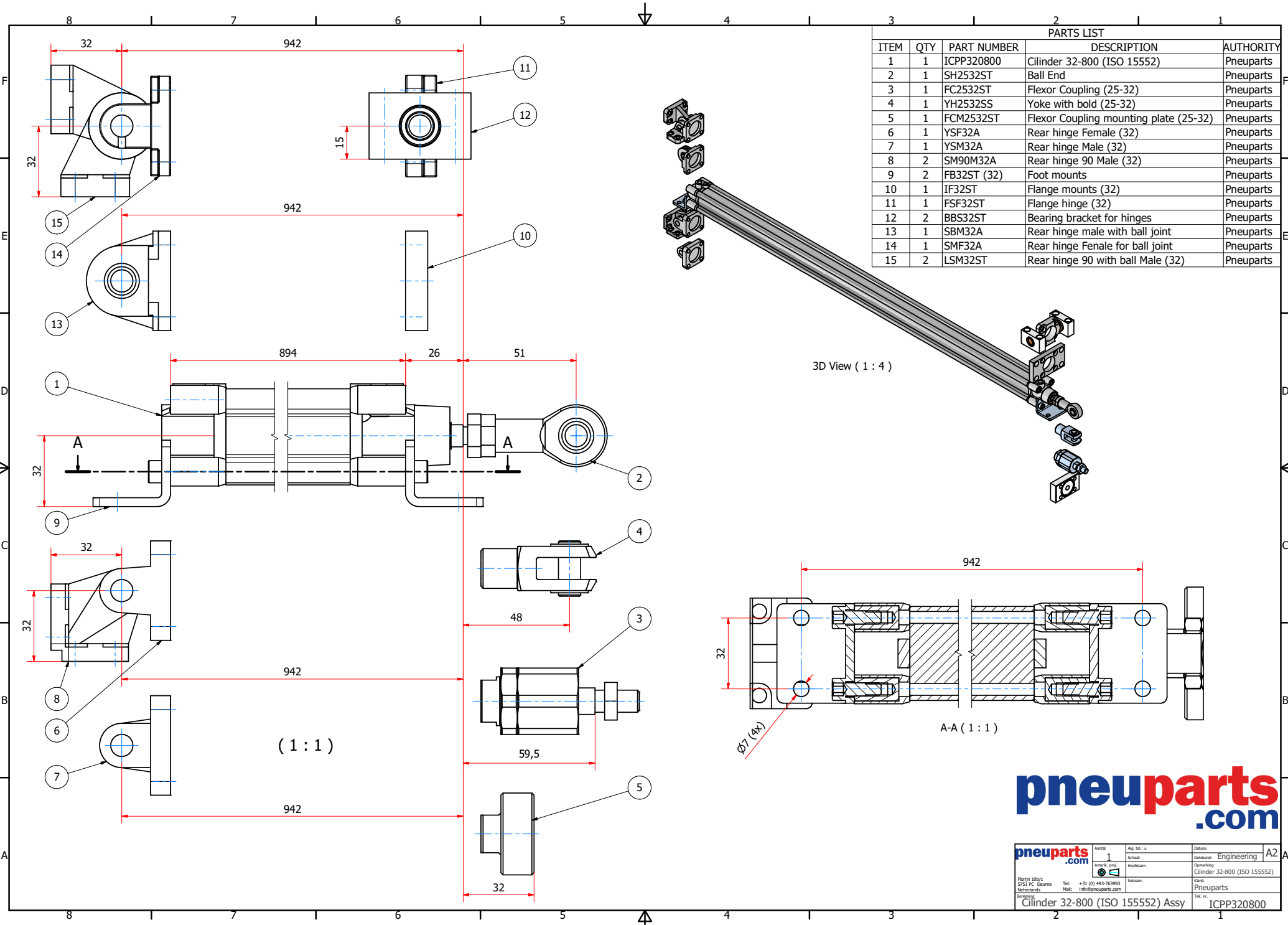
ISO  
15552



Stroke 800mm ( 1 : 1 )

**pneuparts**  
.com

<p>pneuparts .com</p> <p>Platz 206c 2753 PC Deurne Netherlands</p>	<p>Aank: 1</p> <p>Aank: 1</p> <p>Am: 10x1,25</p>	<p>Ag. tel.: ±</p> <p>Hoofdam:</p>	<p>Datum: Engineering A2</p> <p>Opmerking: Cilinder 32-800 (ISO 15552)</p>



PARTS LIST				
ITEM	QTY	PART NUMBER	DESCRIPTION	AUTHORITY
1	1	ICPP320800	Cylinder 32-800 (ISO 15552)	Pneuparts
2	1	SH2532ST	Ball End	Pneuparts
3	1	FC2532ST	Flexor Coupling (25-32)	Pneuparts
4	1	YH2532SS	Yoke with bold (25-32)	Pneuparts
5	1	FCM2532ST	Flexor Coupling mounting plate (25-32)	Pneuparts
6	1	YSF32A	Rear hinge Female (32)	Pneuparts
7	1	YSM32A	Rear hinge Male (32)	Pneuparts
8	2	SM90M32A	Rear hinge 90 Male (32)	Pneuparts
9	2	FB32ST (32)	Foot mounts	Pneuparts
10	1	IF32ST	Flange mounts (32)	Pneuparts
11	1	FSF32ST	Flange hinge (32)	Pneuparts
12	2	BBS32ST	Bearing bracket for hinges	Pneuparts
13	1	SBM32A	Rear hinge male with ball joint	Pneuparts
14	1	SMF32A	Rear hinge Female for ball joint	Pneuparts
15	2	LSM32ST	Rear hinge 90 with ball Male (32)	Pneuparts

**pneuparts.com**

pneuparts.com Purgin 2016c 2753 PC Deurne Netherlands	Aantal	1	Alt. tel.: ±	Datum:	Engineering	A2
	Amerik. afd.		Hoofdkant.	Gepland:	Opmerking:	
					Cylinder 32-800 (ISO 15552)	
					Pneuparts	
					Tek. nr.	ICPP320800