



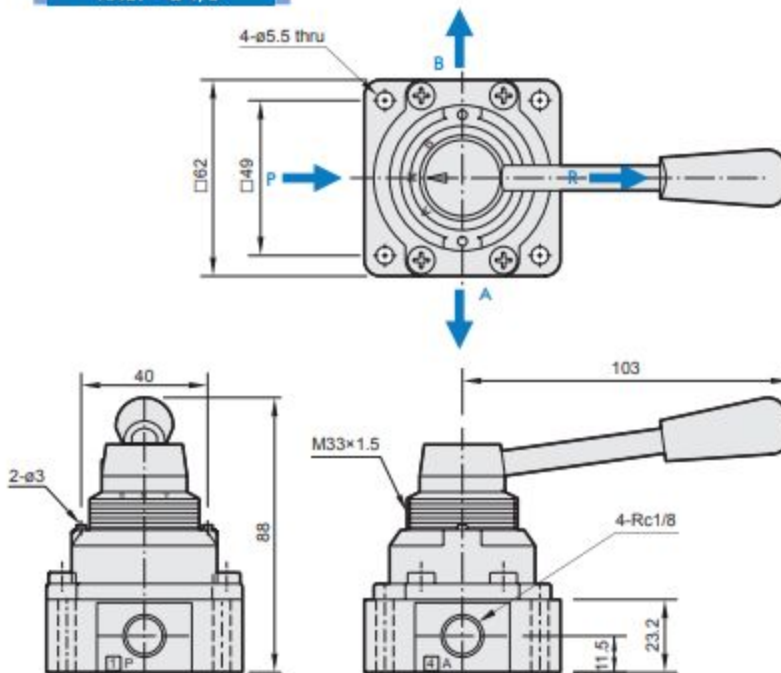
## Specification

No. of port	4							
Medium	Air							
Operating pressure range	0.05~1 MPa							
Effective orifice (mm <sup>2</sup> )	7	26	29	33	26	59	64	71
Ambient temperature	-5~+60°C (No freezing)							
Option	Mounting nut							
Weight	280 g		420 g			1100 g		

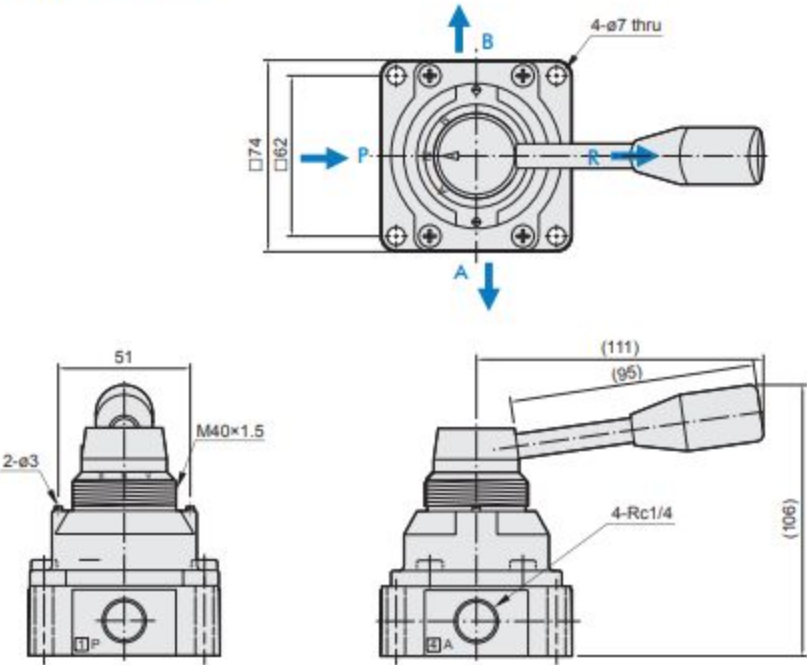
## \* TYPE

Code	Symbol	Description
0		3 Position Close center
1		3 Position Exhaust center
2		2 Position

## RHLV - G 1/8"



RHLV - G 1/4"



RHLV - G 1/2"

