

Monostable and bistable

SPECIFICATIONS

Supplied with solenoid coil and plug

Function:

5/2-way solenoid valve, NAMUR, monostable and bistable

Thread:

G 1/4"

Temperature range:

-5 °C to max. +50 °C

Switching time:

38 ms

Operating pressure range:

0.2 - 0.8 MPa

Number of ports:

5

Number of positions:

2

Voltage:

110V AC, 220 V AC and 24V DC

Proof pressure:

1 MPa

Flow:

980 l/min

Voltage tolerance:

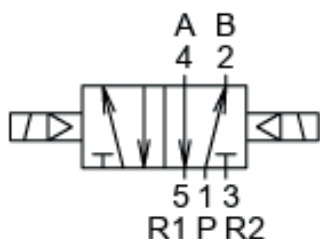
±10%

Insulation class:

Class F

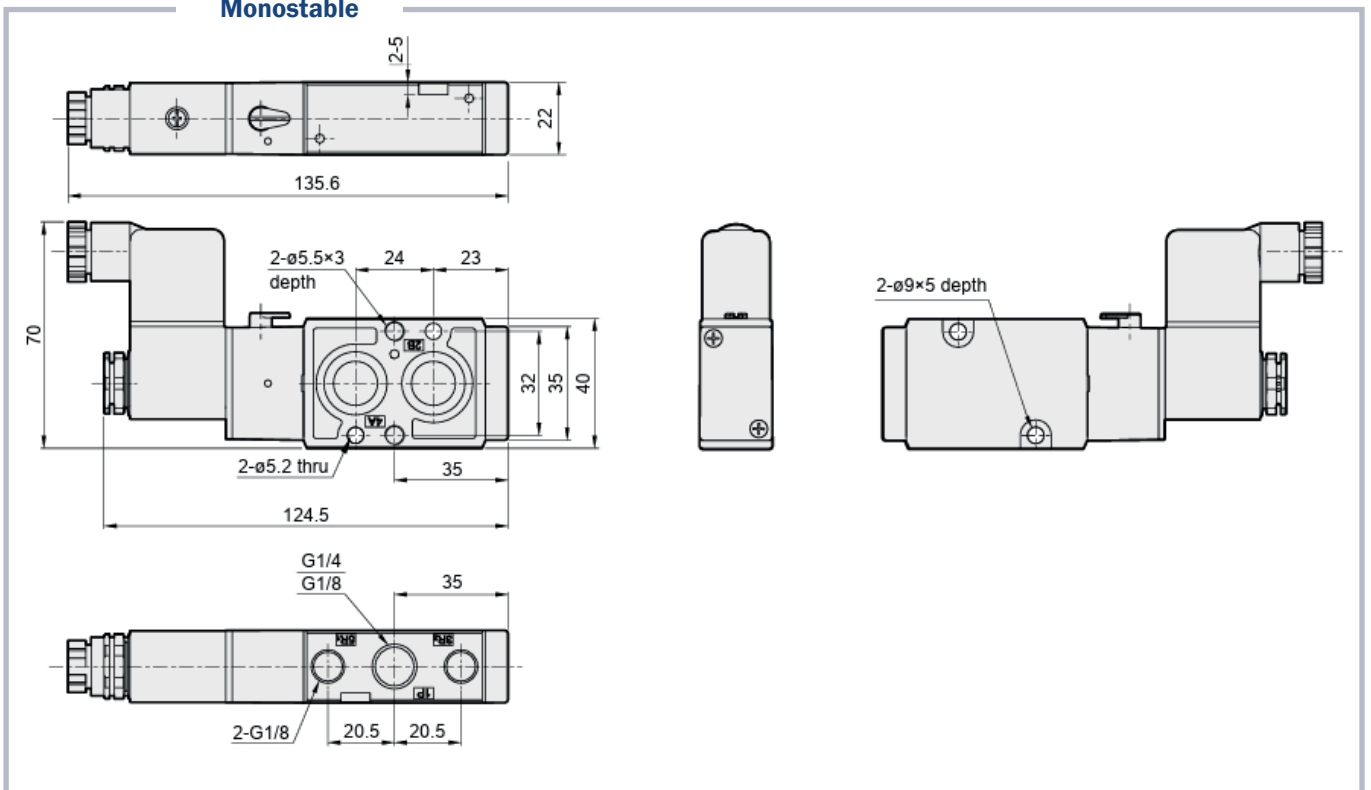


Symbol:



DIMENSIONS

Monostable



Bistable

