

Festo solenoid valve

14 mm, VUVG BK10 series

Data sheet

Materials

Body: Aluminium/ plastic, seals: NBR

Temperature range:

-5 ° C to + 50 ° C

Media:

Oiled and oil-free compressed air

Switching time:

<17 ms

Control voltages:

24 V=

Voltage tolerance:

± 10%

Energy consumption:

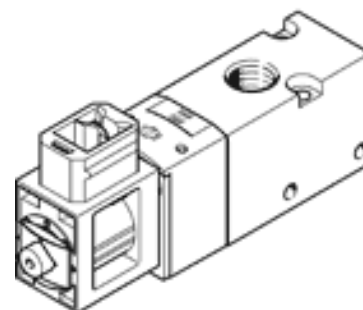
0.7 W

Protection class (VDE 0470/EN60529):

IP 65 (IP40 with rectangular connector H)

Hint:

Please order the connection cable suitable for the respective connection. The valves are supplied including seals & screws.



Article nr.	Function	Version	Workload	Orifice (DN)
VUVGBK14M52FR8	5/2 spring return	M 8 plug (3 pin) with LED and safety circuit	2.5-7 bar	380 L/min.
VUVGBK14M52FH	5/2 spring return	Rectangular connector H, with LED and protection circuit	2.5-7 bar	380 L/min.
VUVGBK14B52FR8	5/2 impulse	M 8 plug (3 pin) with LED and safety circuit	1.5-7 bar	380 L/min.
VUVGBK14B52FH	5/2 impulse	Rectangular connector H, with LED and protection circuit	1.5-7 bar	380 L/min.
VUVGBK14T32CFR8	2x 3/2 (NC/NC)	M 8 plug (3 pin) with LED and safety circuit	1.5-7 bar	350 L/min.
VUVGBK14T32CFH	2x 3/2 (NC/NC)	Rectangular connector H, with LED and protection circuit	1.5-7 bar	350 L/min.