

pneuparts
.com

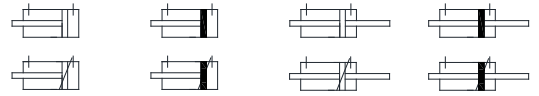
Pneumatic cylinders
double acting
ISO 15552 Ø 160 - 320



MADE IN ITALY



VERSIONS



Materials	
Covers	Painted die-casted aluminum
Tube	Anodized aluminum
Piston rod and tie rods	Chromium coated steel
Piston	Aluminum
Seals	NBR
Guiding bush	Sintered bronze

Technical features	
Fluid	Filtered and lubricated or not compressed air
Working Temp.	-20°C +80°C with dry air
MAX pressure	10 bar

Order example

IC - ... - ...
 ↓ ↓ ↓
 Type Piston Stroke
 diameter (mm)
 (mm)

example

IC	160	25	= IC16025
----	-----	----	-----------

CORSE STANDARD - STANDARD STROKES

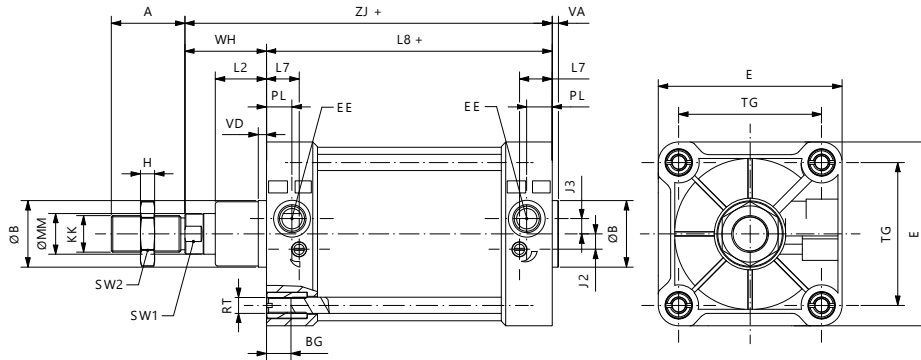
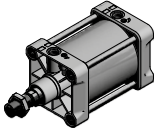
Ø	10	25	50	80	100	125	160	200	250	320	400	500
160	°	°	°	°	°	°	°	°	°	°	°	°
200	°	°	°	°	°	°	°	°	°	°	°	°
250	°	°	°	°	°	°	°	°	°	°	°	°
320	°	°	°	°	°	°	°	°	°	°	°	°

FORZE TEORICHE - THEORETICAL FORCES

Forze teoriche a 6 bar Theoretical forces at 6 bar		
Ø	Thrust force (N)	Traction force (N)
160	12058	11304
200	18840	18086
250	29438	28260
320	48230	46361

DOUBLE ACTING

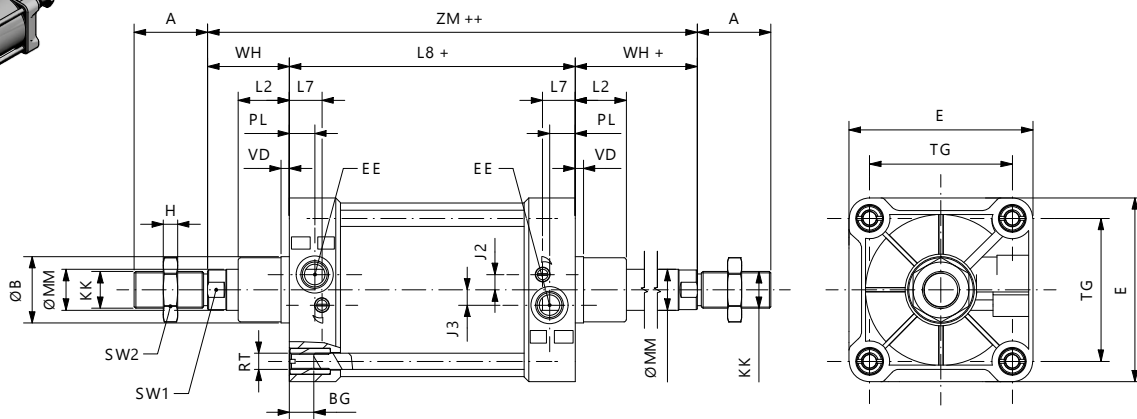
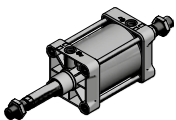
IC....



Ø	ØMM	KK	A	ØB	VD	VA	L2	RT	BG	H	SW2	TG	EE	PL	WH	L8	E	SW1	L7	ZJ	J2	J3
160	40	M36x2	72	65	8	6	50	M16	24	14	55	140	3/4 G	25	80	180	180	36	32	260	15	15
200	40	M36x2	72	75	25	6	65	M16	24	14	55	175	3/4 G	25	95	180	220	36	34	275	15	15
250	50	M42x2	84	90	25	8	75	M20	25	20	65	220	1 G	30	105	200	270	46	40	305	25	25
320	63	M48x2	96	110	25	10	90	M24	28	17	75	270	1 G	30	120	220	350	55	45	340	35	35

+ = plus stroke length

DOUBLE ACTING THROUGH ROD

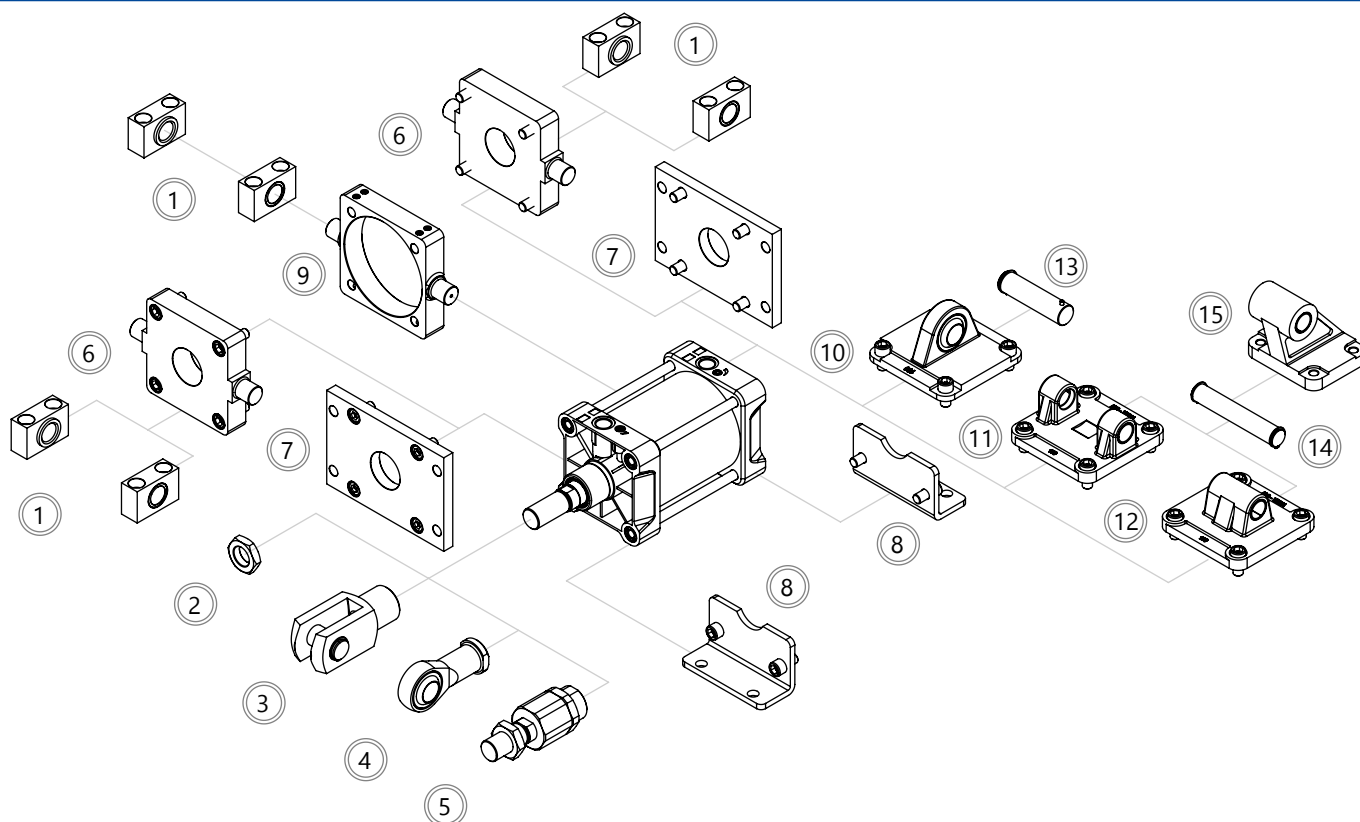


Ø	ØMM	KK	A	ØB	VD	VA	L2	RT	BG	H	SW2	TG	EE	PL	WH	L8	E	SW1	L7	ZM	J2	J3
160	40	M36x2	72	65	8	6	50	M16	24	14	55	140	3/4 G	25	80	180	180	36	32	340	15	15
200	40	M36x2	72	75	25	6	65	M16	24	14	55	175	3/4 G	25	95	180	220	36	34	370	15	15
250	50	M42x2	84	90	25	8	75	M20	25	20	65	220	1 G	30	105	200	270	46	40	410	25	25
320	63	M48x2	96	110	25	10	90	M24	28	17	75	270	1 G	30	120	220	350	55	45	460	35	35

+ = plus stroke length

++ = plus stroke length x 2

ACCESSORI DI FISSAGGIO - MOUNTING ACCESSORIES



	Description	Aluminum	Steel	Stainless steel
1	Support for intermediate hinge AT4	-	170	-
2	Piston rod nut	-	154	178
3	Clevis	-	152	177
4	Rod end	-	153	177
5	Self-aligning joint	-	153	-
6	Front-rear trunnion MT5/MT6	-	169	-
7	Flange MF1-MF2	-	167	185
8	Low rise pedestral MS1	-	167	185
9	Intermediate hinge for tie rods cylinders MT4	-	168	186
10	Male hinge with spherical head MP6	162	166	184
11	Female hinge MP2	160	164	181
12	Male hinge MP4	160	164	181
13	Not rotating pin AA6	-	163	183
14	ISO Pin AA4	-	161	182
15	Square join AB7	161	165	182

MOUNTING KIT

Kit parts	
Kit for double acting magnetic and cushioned cylinder	
Complete front cover	
Complete rear cover	
Complete piston	
Locking bolts for the covers	
Piston rod nut	
Air supply protection caps	

Kit available also in other versions.



PISTON ROD BAR

Piston rod bar	
Ø cylinder	Piston rod Ø
Ø160	40
Ø200	40
Ø250	50
Ø320	63

3 meter long bars



TUBE BAR

Ø cylinder
Ø160
Ø200
Ø250
Ø320

* 3 meter long bars

Tube bars and piston rod bars available also worked and cut at length/stroke.

