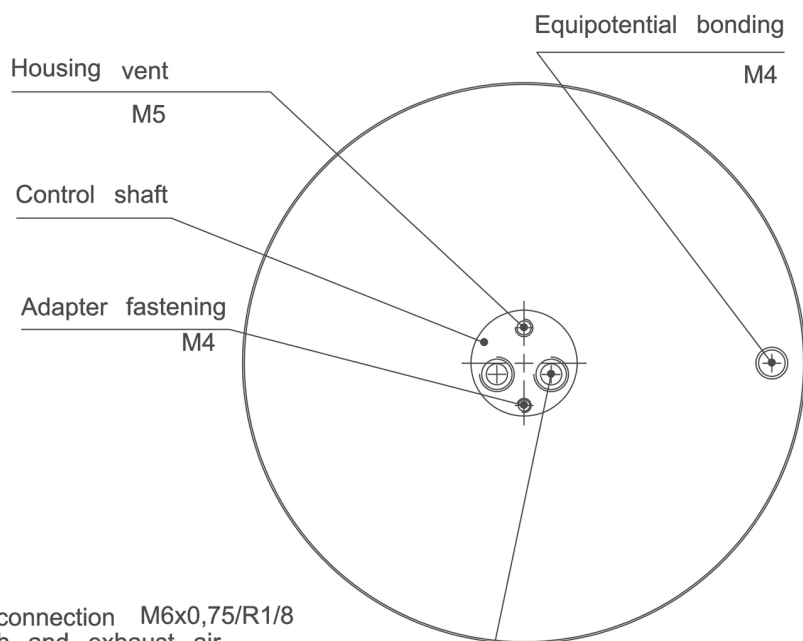
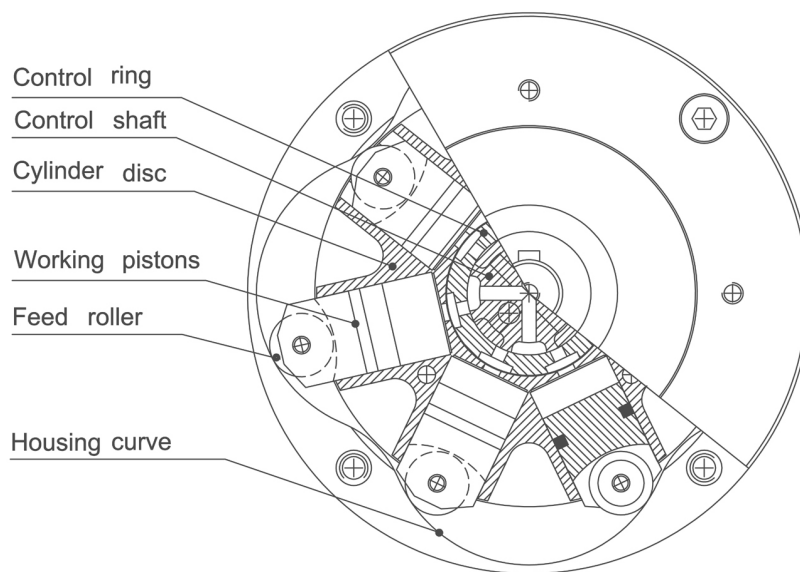


# Pneumatic cylinders and drives

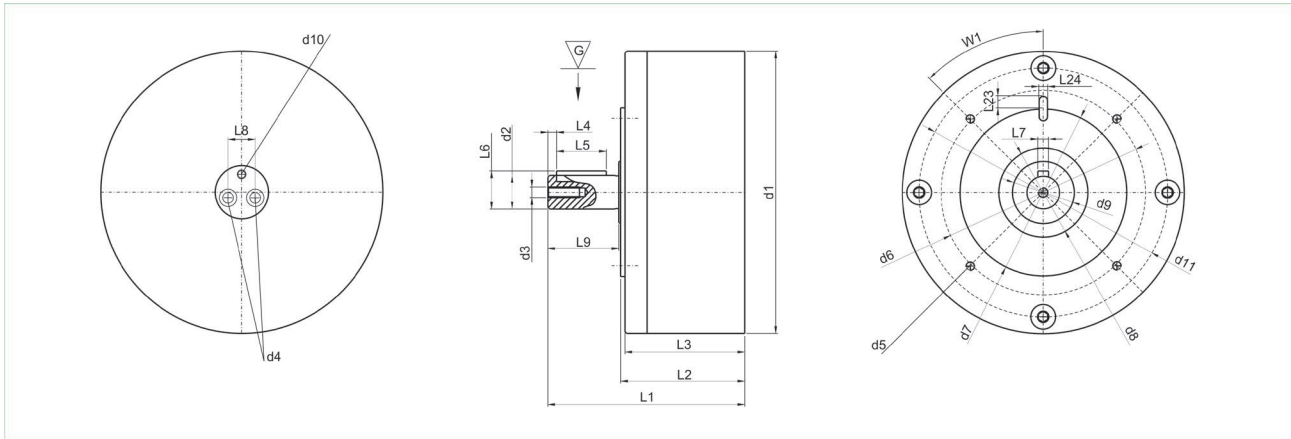
## Air motors

Basic air motors 4, 8, 16, 32 Nm

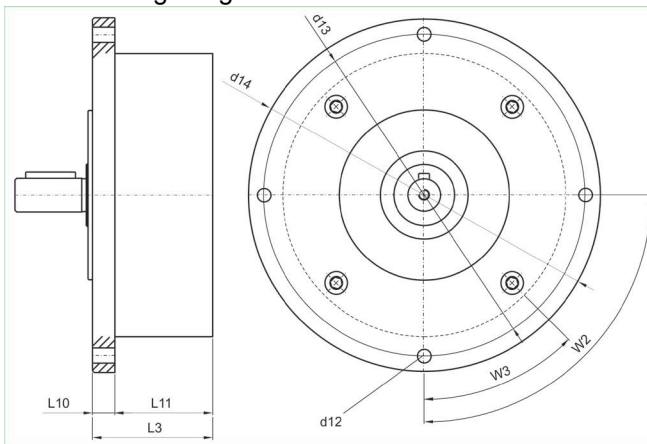


2x air connection M6x0,75/R1/8  
for fresh and exhaust air  
alterating for right hand and left hand rotation

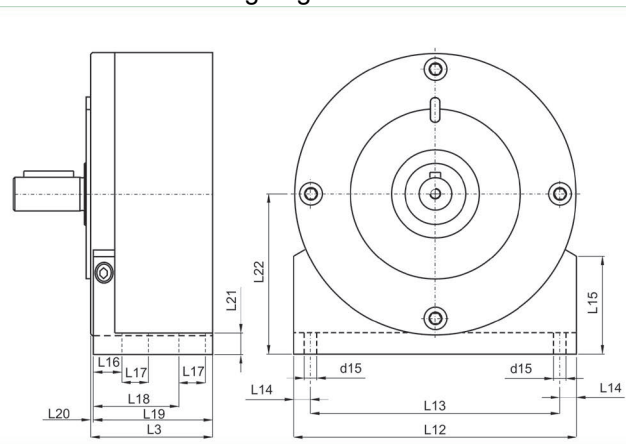
Dimensions:



with mounting flange:



with mounting angle:



	d 1	d 2	d 3	d 4	d 5	d 6	d 7	d 8	d 9	d 10	d 11	d 12	d 13	d 14	d 15
<b>BM4</b>	99	14 h6	M 4x12	M 6x0,75x8	M 4x9	67	55 h6	40	28	M 5x5	87	5.4	110	120	5
<b>BM8</b>	99	14 h6	M 4x12	M 6x0,75x8	M 4x9	67	55 h6	40	28	M 5x5	87	5.4	110	120	5
<b>BM16</b>	159	19 h6	M 6x18	R1/8x9	M 6x10	115	95 h6	50	35	M 5x5	140	8.5	180	199	7
<b>BM32</b>	159	19 h6	M 6x18	R1/8x9	M 6x10	115	95 h6	50	35	M 5x5	140	8.5	180	199	7
<b>BM72</b>	159	19 h6	M 6x18	R1/8x9	M 6x10	115	95 h6	50	35	M 5x5	140	8.5	180	199	7

	L 1	L 2	L 3	L 4	L 1 VA	L 2 VA	L 3 VA	L 5	L 6	L 7	L 8	L 9	L 10	L 11	L 12	L 13	L 14
<b>BM4</b>	78	52	51	3	81	55	53.5	18	16	5 N9	11	25	12	39	99	89	5
<b>BM8</b>	93	67	65	3	95.5	69.5	68	18	16	5 N9	11	25	12	54	99	89	5
<b>BM16</b>	111	70	68	5	115	74	71.5	28	22	6 N9	15	40	13	55	159	140	9.5
<b>BM32</b>	133	92	90	5	137	96	93.5	28	22	6 N9	15	40	13	77	159	140	9.5
<b>BM72</b>	194	153	151	5	198	157	154.5	28	22	6 N9	15	40	13	138	159	140	9.5

	L 15	L 16	L 17	L 18	L 19	L 20	L 21	L 22	L 23	L 24	W 1	W 2	W 3				
<b>BM4</b>	40	15	10	37	50	0.5	10	58	6	4 N9	45°	90°	45°				
<b>BM8</b>	40	15	10	37	50	0.5	10	58	6	4 N9	45°	90°	45°				
<b>BM16</b>	55	16	15	48	67	0.5	12	90	7	5 N9	45°	90°	45°				
<b>BM32</b>	55	16	15	48	67	0.5	12	90	7	5 N9	45°	90°	45°				
<b>BM72</b>	55	16	15	48	67	0.5	12	90	7	5 N9	45°	90°	45°				

Size transmission	L 1 3:1	L 2 3:1	L 3 3:1	L 11 3:1	L 1 9:1	L 2 9:1	L 3 9:1	L 11 9:1
<b>BM4</b>	120	94	93	81	104	78	77	65
<b>BM8</b>	135	109	107	96	119	93	91	80
<b>BM16</b>	161	120	118	105	137	96	94	81
<b>BM32</b>	183	142	140	127	159	118	116	103
<b>BM72</b>	244	203	201	188	220	179	177	164

	Without gear		Reduction ratio 3 : 1		Reduction ratio 9:1		Reduction ratio 1:2		
	n min = 30 rpm	n max = 300 rpm	n min = 10 rpm	n max = 100 rpm	n min = 3,3 rpm	n max = 33 rpm	n min = 60 rpm	n max = 600 rpm	
<b>BM4</b>		4 Nm	2 Nm	12 Nm	6 Nm	36 Nm	18 Nm	2 Nm	1 Nm
<b>BM8</b>		8 Nm	3 Nm	24 Nm	9 Nm	72 Nm	27 Nm	4 Nm	1,5 Nm
<b>BM16</b>		16 Nm	2 Nm	48 Nm	6 Nm	144 Nm	18 Nm	8 Nm	1 Nm
<b>BM32</b>		32 Nm	3 Nm	96 Nm	9 Nm	288 Nm	27 Nm	16 Nm	1,5 Nm
<b>BM72</b>		64 Nm	6 Nm	194 Nm	19 Nm	576 Nm	54 Nm	32 Nm	3 Nm

	max. allowed axial loading	radial dyn. C	radial stat. Co	max. allowed radial loading	weights without gear			
						with 3:1 gear	with 9:1 gear	with 1:2 gear
<b>BM4</b>	100 N	750 N	400 N	5 Nm	1.10 Kg	2.00 Kg	2.80 Kg	2.10 Kg
<b>BM8</b>	100 N	750 N	400 N	5 Nm	1.30 Kg	2.20 Kg	3.00 Kg	2.30 Kg
<b>BM16</b>	200 N	1500 N	800 N	10 Nm	3.40 Kg	6.10 Kg	7.90 Kg	5.90 Kg
<b>BM32</b>	200 N	1500 N	800 N	10 Nm	4.00 Kg	6.70 Kg	8.50 Kg	6.50 Kg
<b>BM72</b>	200 N	1500 N	800 N	10 Nm	6.40 Kg	9.10 Kg	10.90 Kg	8.90 Kg