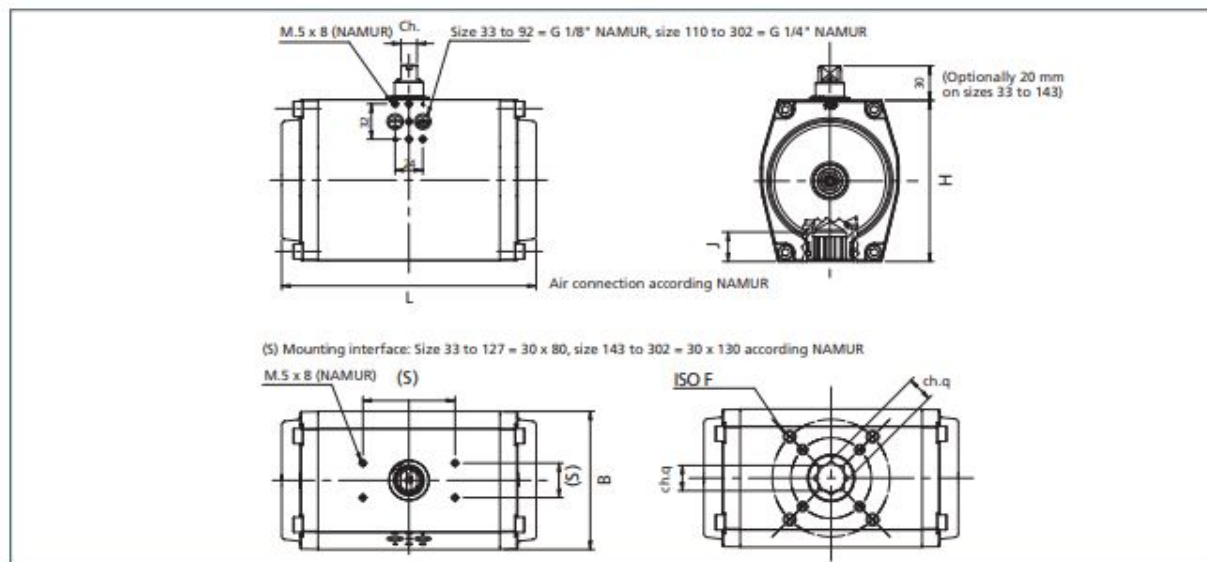
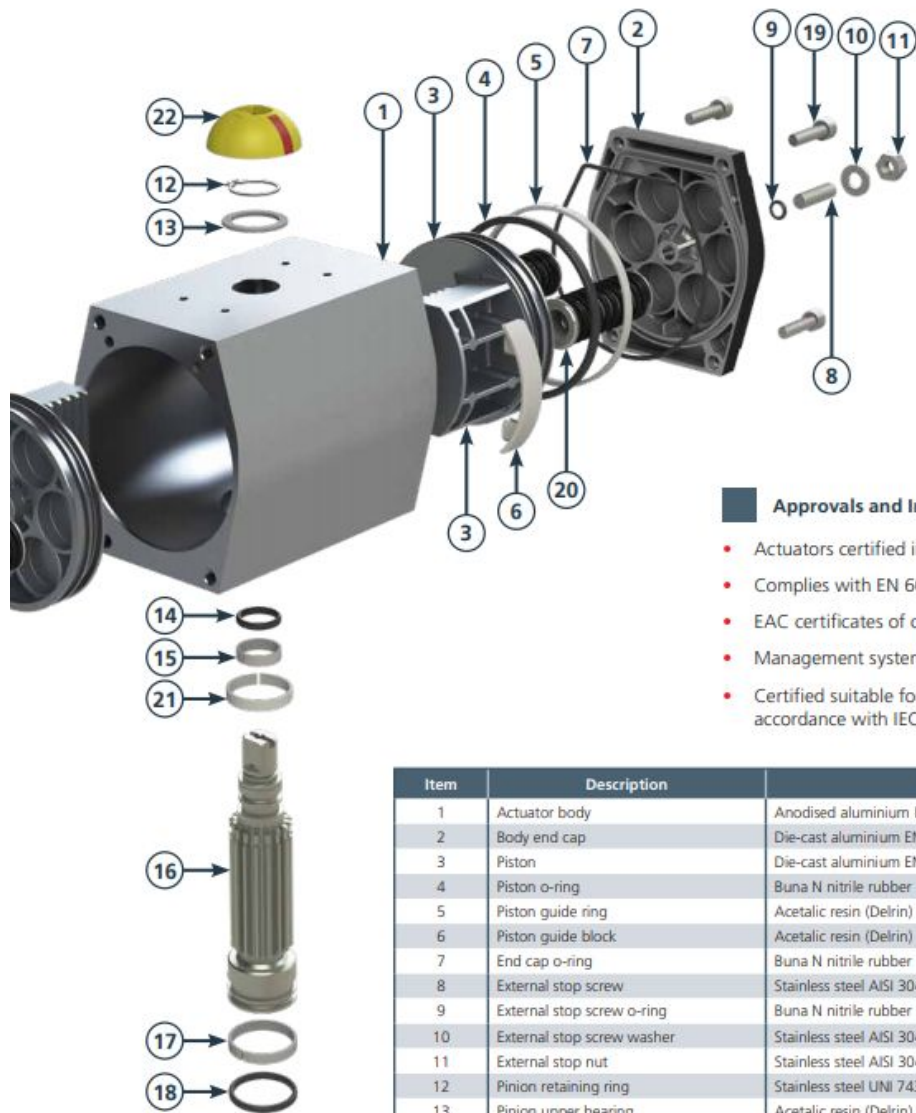


Dimension Data and Mounting Standards



Model	Dimensions (mm)									Displacement (dm ³)				Weight (kg)				
	90°	L	120°	180°	H	J	B	Ch	Ch.q	ISO	SR 90°	90°	DA 120°	180°	SR 90°	90°	DA 120°	180°
33	90	-	-	65	13	61.5	10	9/11	F03	-	0.15	-	-	-	0.47	-	-	-
34	90	-	-	65	13	61.5	10	9/11	F04	-	0.15	-	-	-	0.47	-	-	-
43	116	-	-	65	13	61.5	10	9/11	F03/F05	0.10	0.18	-	-	0.66	0.60	-	-	-
44	116	-	-	65	13	61.5	10	9/11	F04	0.10	0.18	-	-	0.66	0.60	-	-	-
52	133	151	195	74	18	68.5	10	14	F03/F05	0.13	0.25	0.28	0.46	1.00	0.90	1.10	1.30	-
63	137	155	200	88	20	80	10	14	F05/F07	0.21	0.40	0.45	0.74	1.62	1.45	1.70	2.00	-
75	161	183	237	100	20	92.5	10	17	F05/F07	0.32	0.60	0.68	1.12	2.45	2.10	2.46	2.90	-
83	180	205	268	108	20	99.5	10	17	F05/F07	0.45	0.88	1.00	1.63	2.95	2.50	2.95	3.50	-
92	209	239	310	117	21	110.5	14	17	F05/F07	0.62	1.20	1.35	2.25	4.00	3.40	4.00	4.60	-
110	223	253	323	140	25.5	120	14	22	F07/F10	0.98	1.90	2.15	3.52	6.20	5.20	6.10	7.20	-
118	293	345	429	140	36	120	20	22	F07/F10	1.40	2.70	3.05	5.00	8.35	7.10	8.00	9.70	-
127	301	353	453	160	36	137	20	22	F07/F10	2.00	3.65	4.10	6.80	10.7	9.00	10.0	12.5	-
143	337	387	488	198	33	172	20	27	F10/F12	2.50	4.60	6.12	9.20	15.8	12.4	14.0	16.0	-
160	379	444	570	198	39	172	28	27	F10/F12	3.80	7.00	8.00	13.0	20.1	16.4	18.8	26.0	-
190	422	-	-	255	41	224	28	36	F14	6.50	12.5	-	-	37.8	28.0	-	-	-
210	468	544	696	255	40	224	32	36	F14	8.00	15.0	17.0	21.5	39.6	31.8	37.4	49.2	-
253	524	600	751	302	50	272	32	46	F16	10	19.2	22	29	56	44	50	63	-
254	609	711	911	302	50	272	32	46	F16	14.0	27.0	31.5	41.0	70.6	55.5	66.5	79.8	-
255	689	815	-	302	50	272	32	46	F16	17.0	32.0	38.0	-	84.3	69.2	77.0	-	-
300	689	814	-	360	50	360	32	46	F16	25	46	68	-	107.1	92	105	-	-
300-F25	689	814	-	392	65	360	32	55	F25	25	46	68	-	114	99	112	-	-
302	1,176	-	-	360	50	360	32	46	F16	46	84	-	-	179	144	-	-	-
302-F25	1,176	-	-	392	65	360	32	55	F25	46	84	-	-	179	154	-	-	-



Approvals and Industry Standards

- Actuators certified in accordance with 2014/34/EU
- Complies with EN 60529 (1991) + (A1:2000) for IP66M
- EAC certificates of conformity
- Management system in accordance with ISO 9001:2015
- Certified suitable for use at SIL3 as a single device in accordance with IEC 61508

Item	Description	Material	Quantity
1	Actuator body	Anodised aluminium EN AW6063	1
2	Body end cap	Die-cast aluminium EN AC-46100	2
3	Piston	Die-cast aluminium EN AC-46100	2
4	Piston o-ring	Buna N nitrile rubber	2
5	Piston guide ring	Acetalic resin (Delrin)	2
6	Piston guide block	Acetalic resin (Delrin)	2
7	End cap o-ring	Buna N nitrile rubber	2
8	External stop screw	Stainless steel AISI 304	2
9	External stop screw o-ring	Buna N nitrile rubber	2
10	External stop screw washer	Stainless steel AISI 304	2
11	External stop nut	Stainless steel AISI 304	2
12	Pinion retaining ring	Stainless steel UNI 7435	1
13	Pinion upper bearing	Acetalic resin (Delrin)	1
14	Pinion upper o-ring	Buna N nitrile rubber	1
15	Pinion upper guide bearing	Acetalic resin (Delrin)	1
16	Pinion	Carbon steel EN 115MnPb3 (electroless nickel plated)	1
17	Pinion lower guide bearing	Acetalic resin (Delrin)	1
18	Pinion lower o-ring	Buna N nitrile rubber	1
19	End cap retaining screws	Stainless steel AISI 304	8
20	Spring cartridge	Steel (epoxy painted)	0-12
21	Anti-blowout ring	Polyarylamide	1
22	Position indicator	Nylon 6	1

Double-Acting Actuators

Model	Pneumatic Torque (Nm)													
	2 bar	2.5 bar	3 bar	3.5 bar	4 bar	4.5 bar	5 bar	5.6 bar	6 bar	6.5 bar	7 bar	8 bar	9 bar	10 bar
33, 34	2.4	2.9	3.5	4.1	4.7	5.2	5.8	6.5	7.0	7.6	8.2	9.4	10.5	11.7
43, 44	4.7	5.8	7.0	8.2	9.4	10.5	11.7	13.1	14.0	15.2	16.4	18.7	21.0	23.4
52	7.8	9.7	11.7	13.6	15.6	17.5	19.5	21.8	23.4	25.3	27.3	31.2	35.1	39.0
63	11.6	14.5	17.4	20.3	23.2	26.1	29.0	32.5	34.8	37.7	40.6	46.4	52.2	58.0
75	20.0	25.0	30.0	35.0	40.0	45.0	50.0	56.0	60.0	65.0	70.0	80.0	90.0	100.0
83	29.0	36.2	43.5	50.7	58.0	65.2	72.5	81.2	87.0	94.2	101.5	116.0	130.5	145.0
92	40.0	50.0	60.0	70.0	80.0	90.0	100.0	112.0	120.0	130.0	140.0	160.0	180.0	200.0
110	58.0	72.5	87.0	101.5	116.0	130.5	145.0	162.4	174.0	188.5	203.0	232.0	261.0	290.0
118	86.0	107.5	129.0	150.5	172.0	193.5	215.0	240.8	258.0	279.5	301.0	344.0	387.0	430.0
127	116.0	145.0	174.0	203.0	232.0	261.0	290.0	324.8	348.0	377.0	406.0	464.0	522.0	580.0
143	186.0	232.5	279.0	325.5	372.0	418.5	465.0	520.8	558.0	604.5	651.0	744.0	837.0	930.0
160	230.0	287.5	345.0	402.5	460.0	517.5	575.0	644.0	690.0	747.5	805.0	920.0	1,035	1,150
190	400.0	500.0	600.0	700.0	800.0	900.0	1,000	1,120	1,200	1,300	1,400	1,600	1,800	2,000
210	480.0	600.0	720.0	840.0	959.9	1,080	1,200	1,344	1,440	1,560	1,680	1,920	2,160	2,400
253	690.5	863.1	1,035	1,208	1,381	1,553	1,726	1,933	2,071	2,244	2,416	2,762	3,107	3,452
254	920.0	1,150	1,380	1,610	1,840	2,070	2,300	2,576	2,760	2,990	3,220	3,680	4,140	4,600
255	1,160	1,450	1,740	2,030	2,320	2,610	2,900	3,248	3,480	3,770	4,060	4,640	5,220	5,800
300, 300-F25	1,600	2,000	2,400	2,800	3,200	3,600	4,000	4,480	4,800	5,200	5,600	6,400	7,200	8,000
302, 302-F25	3,060	3,825	4,590	5,355	6,120	6,885	7,650	8,568	9,180	9,945	10,710	12,240	13,770	15,300

Single-Acting Actuators

Model	Springs	Spring Torque (Nm)		Pneumatic Torque (Nm)																			
				2 bar		3 bar		4 bar		5 bar		5.6 bar		6 bar		7 bar		8 bar		9 bar		10 bar	
		0°	90°	0°	90°	0°	90°	0°	90°	0°	90°	0°	90°	0°	90°	0°	90°	0°	90°	0°	90°	0°	90°
43.44	2	1.68	2.53	2.97	2.09	5.31	4.43	7.64	6.77	9.98	9.11	11.39	10.51	12.32	11.45	14.66	13.79	17.00	16.12	19.34	18.46	21.68	20.80
	4	3.36	5.07	-	-	3.59	1.85	5.93	4.18	8.27	6.52	9.68	7.93	10.61	8.86	12.95	11.20	15.29	13.54	17.63	15.88	19.97	18.22
	6	5.03	7.60	-	-	-	-	4.22	1.60	6.56	3.94	7.96	5.34	8.90	6.28	11.24	8.61	13.58	10.95	15.92	13.29	18.26	15.63
	8	6.71	10.14	-	-	-	-	-	-	4.85	1.35	6.25	2.75	7.19	3.69	9.53	6.03	11.87	8.37	14.21	10.71	16.54	13.05
52	2	1.91	3.19	5.84	4.54	9.74	8.44	13.64	12.34	17.54	16.23	19.87	18.57	21.43	20.13	25.33	24.03	29.23	27.92	33.12	31.82	37.02	35.72
	4	3.82	6.37	3.90	1.29	7.79	5.19	11.69	9.09	15.59	12.98	17.92	15.32	19.48	16.88	23.38	20.78	28.28	24.67	31.17	28.57	35.07	32.47
	6	5.73	9.56	-	-	5.84	1.94	9.74	5.83	13.64	9.73	15.98	12.07	17.53	13.63	21.43	17.52	25.33	21.42	29.23	25.32	33.12	29.22
	8	7.64	12.75	-	-	-	-	7.79	2.58	11.69	6.48	14.03	8.82	15.59	10.38	19.48	14.27	23.38	18.17	27.28	22.07	31.17	25.96
	10	9.55	15.94	-	-	-	-	-	-	9.74	3.23	12.08	5.57	13.64	7.13	17.53	11.02	21.43	14.92	25.33	18.82	29.22	22.71
	12	11.46	19.12	-	-	-	-	-	-	-	-	10.13	2.32	11.69	3.88	15.59	7.77	19.48	11.67	23.38	15.57	27.28	19.46
63	2	3.01	4.42	8.54	7.09	14.34	12.89	20.14	18.69	25.94	24.50	29.42	27.98	31.74	30.30	37.54	36.10	43.34	41.90	49.14	47.70	54.94	53.50
	4	6.01	8.84	5.47	2.58	11.27	8.38	17.07	14.18	22.87	19.99	26.35	23.47	28.67	25.79	34.47	31.59	40.27	37.39	46.08	43.19	51.88	48.99
	6	9.02	13.26	-	-	8.20	3.87	14.00	9.68	19.81	15.48	23.29	18.96	25.61	21.28	31.41	27.08	37.21	32.88	43.01	38.68	48.81	44.48
	8	12.03	17.68	-	-	-	-	10.94	5.17	16.74	10.97	20.22	14.45	22.54	16.77	28.34	22.57	34.14	28.37	39.94	34.17	45.74	39.97
	10	15.03	22.11	-	-	-	-	-	-	13.67	6.46	17.15	9.94	19.47	12.26	25.27	18.06	31.08	23.86	36.88	29.66	42.68	35.46
	12	18.04	26.53	-	-	-	-	-	-	-	-	14.09	5.43	16.41	7.75	22.21	13.55	28.01	19.35	33.81	25.15	39.61	30.95
75	2	5.24	7.96	14.65	11.87	24.65	21.87	34.65	31.87	44.65	41.87	50.65	47.87	54.64	51.87	64.64	61.86	74.64	71.86	84.64	81.86	94.64	91.86
	4	10.48	15.93	9.31	3.75	19.31	13.75	29.31	23.75	39.30	33.75	45.30	39.74	49.30	43.74	59.30	53.74	69.30	63.74	79.30	73.74	89.29	83.74
	6	15.71	23.89	-	-	13.96	5.63	23.96	15.63	33.96	25.62	39.96	31.62	43.96	35.62	53.96	45.62	63.96	55.62	73.96	65.62	83.95	75.61
	8	20.95	31.85	-	-	-	-	18.62	7.50	28.62	17.50	34.62	23.50	38.62	27.50	48.61	37.50	58.61	47.50	68.61	57.49	78.61	67.49
	10	26.19	39.81	-	-	-	-	-	-	23.27	9.38	29.27	15.38	33.27	19.38	43.27	29.38	53.27	39.37	63.27	49.37	73.26	59.37
	12	31.43	47.78	-	-	-	-	-	-	17.93	1.26	23.93	7.26	27.93	11.26	37.93	21.25	47.93	31.25	57.92	41.25	67.92	51.25
83	2	7.23	11.19	21.62	17.58	36.12	32.07	50.62	46.57	65.11	61.07	73.81	69.77	79.61	75.56	94.11	90.06	108.6	104.6	123.1	119.1	137.6	133.6
	4	14.46	22.39	14.25	6.16	28.75	20.65	43.24	35.15	57.74	49.65	66.44	58.35	72.24	64.15	86.73	78.64	101.2	93.14	115.7	107.6	130.2	122.1
	6	21.68	33.58	-	-	21.37	9.24	35.87	23.73	50.37	38.23	59.07	46.93	64.86	52.73	79.36	67.23	93.86	81.72	108.4	96.22	122.9	110.7
	8	28.91	44.78	-	-	-	-	28.50	12.31	42.99	26.81	51.69	35.51	57.49	41.31	71.99	55.81	86.49	70.30	101.0	84.80	115.5	99.30
	10	36.14	55.97	-	-	-	-	-	-	35.62	15.39	44.32	24.09	50.12	29.89	64.62	44.39	79.11	58.89	93.61	73.36	108.1	87.88
	12	43.37	67.17	-	-	-	-	-	-	28.25	3.98	36.95	12.67	42.75	18.47	57.24	32.97	71.74	47.47	86.24	61.96	100.7	76.46
92	2	9.10	14.34	30.72	25.37	50.73	45.38	70.73	65.38	90.73	85.38	102.7	97.39	110.7	105.4	130.7	125.4	150.7	145.4	170.7	165.4	190.7	185.4
	4	18.20	28.69	21.44	10.74	41.44	30.75	61.45	50.75	81.45	70.75	93.45	82.75	101.5	90.76	121.5	110.8	141.5	130.8	161.5	150.8	181.5	170.8
	6	27.31	43.03	-	-	32.16	16.12	52.16	36.12	72.16	56.12	84.17	68.12	92.17	76.12	112.2	96.13	132.2	116.1	152.2	136.1	172.2	156.1
	8	36.41	57.38	-	-	-	-	42.88	21.49	62.88	41.49	74.88	53.49	82.88	61.49	102.9	81.50	122.9	101.5	142.9	121.5	162.9	141.5
	10	45.51	71.72	-	-	-	-	33.59	6.86	53.60	26.86	65.60	38.86	73.60	46.86	93.60	66.86	113.6	86.87	133.6	106.9	153.6	126.9
	12	54.61	86.07	-	-	-	-	-	-	44.31	12.23	56.31	24.23	64.32	32.23	84.32	52.23	104.3	72.24	124.3	92.24	144.3	112.2

Single-Acting Actuators *continued*

Model	Springs	Spring Torque (Nm)		Pneumatic Torque (Nm)																			
				2 bar		3 bar		4 bar		5 bar		5.6 bar		6 bar		7 bar		8 bar		9 bar		10 bar	
		0°	90°	0°	90°	0°	90°	0°	90°	0°	90°	0°	90°	0°	90°	0°	90°	0°	90°	0°	90°	0°	90°
110	2	15.81	23.71	41.9	33.8	70.9	62.8	99.9	91.8	128.9	120.8	146.3	138.2	157.9	149.8	186.9	178.8	215.9	207.8	244.9	236.8	273.9	265.8
	4	31.61	47.42	25.8	9.6	54.8	38.6	83.8	67.6	112.8	96.6	130.2	114.1	141.8	125.7	170.8	154.7	199.8	183.7	228.8	212.7	257.8	241.7
	6	47.42	71.13	-	-	38.6	14.5	67.6	43.5	96.6	72.5	114.1	89.9	125.7	101.5	154.7	130.5	183.7	159.5	212.7	188.5	241.7	217.5
	8	63.22	94.84	-	-	-	-	51.5	19.3	80.5	48.3	97.9	65.7	109.5	77.3	138.5	106.3	167.5	135.3	196.5	164.3	225.5	193.3
	10	79.03	118.5	-	-	-	-	-	-	64.4	24.1	81.8	41.5	93.4	53.1	122.4	82.1	151.4	111.1	180.4	140.1	209.4	169.1
	12	94.84	142.3	-	-	-	-	-	-	-	-	65.7	17.3	77.3	28.9	106.3	57.9	135.3	86.9	164.3	115.9	193.3	144.9
118	2	21.25	36.46	64.3	48.8	107.3	91.8	150.3	134.8	193.3	177.8	219.1	203.6	236.3	220.8	279.3	263.8	322.3	306.8	365.3	349.8	408.3	392.8
	4	42.50	72.92	42.7	11.6	85.7	54.6	128.7	97.6	171.7	140.6	197.5	166.4	214.7	183.6	257.7	226.6	300.7	269.6	343.7	312.6	386.7	355.6
	6	63.75	109.4	-	-	64.0	17.4	107.0	60.4	150.0	103.4	175.8	129.2	193.0	146.4	236.0	189.4	279.0	232.4	322.0	275.4	365.0	318.4
	8	84.99	145.8	-	-	-	-	85.3	23.3	128.3	66.3	154.1	92.1	171.3	109.3	214.3	152.3	257.3	195.3	300.3	238.3	343.3	281.3
	10	106.2	182.3	-	-	-	-	-	-	106.6	29.1	132.4	54.9	149.6	72.1	192.6	115.1	235.6	158.1	278.6	201.1	321.6	244.1
	12	127.5	218.7	-	-	-	-	-	-	-	-	110.8	17.7	128.0	34.9	171.0	77.9	214.0	120.9	257.0	163.9	300.0	206.9
127	2	29.94	48.78	85.5	66.2	143.5	124.2	201.5	182.2	259.5	240.2	294.2	275.0	317.4	298.2	375.4	356.2	433.4	414.2	491.4	472.2	549.4	530.2
	4	59.88	97.57	54.9	16.5	112.9	74.5	170.9	132.5	228.9	190.5	263.7	225.3	286.9	248.5	344.9	306.5	402.9	364.5	460.9	422.5	518.9	480.5
	6	89.82	146.3	-	-	82.4	24.7	140.4	82.7	198.4	140.7	233.2	175.5	256.4	198.7	314.4	256.7	372.4	314.7	430.4	372.7	488.4	430.7
	8	119.8	195.1	-	-	-	-	109.8	33.0	167.8	91.0	202.6	125.8	225.8	149.0	283.8	206.9	341.8	264.9	399.8	322.9	457.8	380.9
	10	149.7	243.9	-	-	-	-	-	137.3	41.2	172.1	76.0	195.3	99.2	253.3	157.2	311.3	215.2	369.3	273.2	427.3	331.2	
	12	179.6	292.7	-	-	-	-	-	-	-	-	141.6	26.2	164.8	49.4	222.8	107.4	280.8	165.4	338.8	223.4	396.8	281.4
143	2	48.1	68.9	137.0	115.7	230.0	208.7	323.0	301.7	416.0	394.7	471.8	450.5	509.0	487.7	602.0	580.7	695.0	673.7	788.0	766.7	881.0	859.8
	4	96.1	137.8	87.9	45.5	181.0	138.5	274.0	231.5	367.0	324.5	422.8	380.3	460.0	417.5	553.0	510.5	646.0	603.5	739.0	696.5	832.0	789.5
	6	144.2	206.7	-	-	131.9	68.2	224.9	161.2	317.9	254.2	373.7	310.0	410.9	347.2	503.9	440.2	596.9	533.2	689.9	626.2	782.9	719.2
	8	192.3	275.6	-	-	-	-	175.9	90.9	268.9	183.9	324.7	239.7	361.9	276.9	454.9	369.9	547.9	462.9	640.9	555.9	733.9	648.9
	10	240.3	344.4	-	-	-	-	126.9	20.7	219.9	113.7	275.7	169.5	312.9	206.7	405.9	299.7	498.9	392.7	591.9	485.7	684.9	578.7
	12	288.4	413.3	-	-	-	-	-	-	170.8	43.4	226.6	99.2	263.8	136.4	356.8	229.4	449.8	322.4	542.9	415.4	635.9	508.4
160	2	55.9	83.0	172.4	144.5	287.4	259.5	402.5	374.5	517.5	489.5	586.5	558.5	632.5	604.5	747.5	719.5	862.5	834.5	977.5	949.5	1,092	1,065
	4	111.8	166.0	114.9	59.0	229.9	174.0	344.9	289.0	459.9	404.0	528.9	473.0	574.9	519.0	689.9	634.1	804.9	749.1	919.9	864.1	1,035	979.1
	6	167.6	249.0	-	-	172.3	88.6	287.3	203.6	402.3	318.6	471.3	387.6	517.3	433.6	632.3	548.6	747.3	663.6	862.3	778.6	977.3	893.6
	8	223.5	332.0	-	-	-	-	229.8	118.1	344.8	233.1	413.8	302.1	459.8	348.1	574.8	463.1	689.8	578.1	804.8	693.1	919.8	808.1
	10	279.4	415.0	-	-	-	-	172.2	32.6	287.2	147.6	356.2	216.6	402.2	262.6	517.2	377.6	632.2	492.6	747.2	607.6	862.2	722.6
	12	335.3	498.0	-	-	-	-	-	-	229.7	62.1	298.7	131.1	344.7	177.1	459.7	292.1	574.7	407.1	689.7	522.1	804.7	637.1
190	2	106.2	133.9	290.6	262.1	490.6	462.1	690.6	662.1	890.6	862.1	1,011	982.1	1,091	1,062	1,291	1,262	1,491	1,462	1,691	1,662	1,891	1,862
	4	212.5	267.8	181.2	124.2	381.2	324.2	581.2	524.2	781.2	724.2	901.2	844.2	981.2	924.2	1,181	1,124	1,381	1,324	1,581	1,524	1,781	1,724
	6	318.7	401.7	-	-	271.8	186.3	471.8	386.3	671.8	586.3	791.8	706.3	871.8	786.3	1,072	986.3	1,272	1,186	1,472	1,386	1,672	1,586
	8	424.9	535.6	-	-	162.4	48.4	362.4	248.4	562.4	448.4	682.4	568.4	762.4	648.4	962.4	848.4	1,162	1,048	1,362	1,248	1,562	1,448
	10	531.2	669.5	-	-	-	-	253.0	110.5	453.0	310.5	573.0	430.5	653.0	510.5	853.0	710.5	1,053	910.5	1,253	1,111	1,453	1,311
	12	637.4	803.4	-	-	-	-	-	-	343.5	172.6	463.6	292.6	543.6	372.6	743.6	572.6	943.6	772.6	1,144	972.6	1,344	1,173
210	2	114.2	160.7	362.4	314.5	602.3	554.5	842.3	794.5	1,082	1,034	1,226	1,178	1,322	1,274	1,562	1,514	1,802	1,754	2,042	1,994	2,282	2,234
	4	228.4	321.3	244.7	149.0	484.7	389.0	724.7	629.0	964.7	868.9	1,109	1,016	1,205	1,109	1,445	1,349	1,685	1,589	1,925	1,829	2,165	2,069
	6	342.6	482.0	-	-	367.1	223.5	607.1	463.5	847.1	703.5	991.1	847.4	1,097	943.4	1,327	1,183	1,567	1,423	1,807	1,663	2,047	1,903
	8	456.8	642.7	-	-	249.5	58.0	489.5	298.0	729.4	538.0	873.4	682.0	969.4	777.9	1,209	1,018	1,449	1,258	1,689	1,498	1,929	1,738
	10	571.0	803.4	-	-	-	-	371.8	132.5	611.8	372.5	755.8	516.5	851.8	612.5	1,092	852.4	1,332	1,092	1,572	1,332	1,812	1,572
	12	685.2	964.0	-	-	-	-	-	-	494.2	207.0	638.2	351.0	734.2	447.0	974.2	686.9	1,214	926.9	1,454	1,167	1,694	1,407
253	1	83.8	115.3	607.4	576.3	952.7	921.6	1,298	1,266	1,643	1,612	1,850	1,819	1,988	1,957	2,333	2,302	2,679	2,647	3,024	2,993	3,369	3,338
	2	167.7	230.6	524.4	462.2	869.7	807.4	1,214	1,152	1,560	1,498	1,767	1,705	1,905	1,843	2,250	2,188	2,596	2,533	2,941	2,879	3,286	3,224
	3	251.6	345.9	441.4	348.0	786.6	693.3	1,131	1,038	1,477	1,383	1,684	1,591	1,822	1,729	2,167	2,074	2,513	2,419	2,858	2,764	3,203	3,110
	4	335.5	461.2	358.3	233.8	703.6	579.1	1,048	924.4	1,394	1,269	1,601	1,476	1,739	1,614	2,084	1,960	2,429	2,305	2,775	2,650	3,120	2,996
	5	419.3	576.5	275.3	119.7	620.6	465.0	965.8	810.2	1,311	1,155	1,518	1,362	1,656	1,500	2,001	1,846	2,346	2,191	2,692	2,536	3,037	2,881
	6	503.2	691.8	-	-	537.5	350.8	882.8	696.1	1,228	1,041	1,435	1,248	1,573	1,386	1,918	1,731	2,263	2,077	2,609	2,422	2,954	2,767
	7	587.1	807.1	-	-	454.5	236.6	799.8	581.9	1,145	927.2	1,352	1,134	1,490	1,272	1,835	1,617	2,180	1,963	2,526	2,308	2,871	2,653
	8	671.0	922.5	-	-	371.5	122.5	716.7	467.7	1,062	813.0	1,269	1,020	1,407	1,158	1,752	1,503	2,097	1,848	2,443	2,194	2,788	2,539
	9	754.8	1,037	-	-	-	-	633.7	353.6	978.9	698.8	1,186	906.0	1,324	1,044	1,669	1,389	2,014	1,734	2,360	2,079	2,705	2,425
	10	838.7	1,153	-	-	-	-	550.6	239.4	895.9	584.7	1,103	791.8	1,241	929.9	1,586	1,275	1,931	1,620	2,277	1,965	2,622	2,311
	11	922.6	1,268	-	-	-	-	-	-	812.9	470.5	1,020	677.7	1,158	815.8	1,503	1,161	1,848	1,506	2,193	1,851	2,539	2,196
	12	1,006	1,383	-	-	-	-	-	-	729.8	356.4	937.0	563.5	1,075	701.6	1,420	1,046	1,765	1,392	2,110	1,737	2,456	2,082