

# Cartridge cylinder

**Single acting**

with thread

**Materials:**

Body: Nickel-plated brass, piston rod: stainless steel, seal: NBR

**Temperature range:**

-20°C to +80°C

**Operating pressure:**

2 - 7 bar

**Piston diameter:**

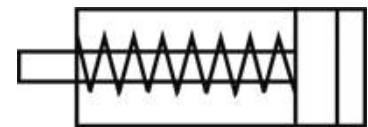
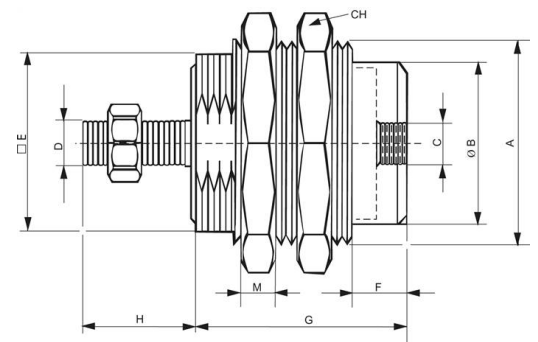
6, mm, 10 mm & 16 mm

**Stroke:**

5 mm, 10 mm & 15 mm

**Piston rod thread**

M 3, M 4 & M 5



Article nr	Piston diameter	Stroke (mm)
CC0605	6	5
CC0610	6	10
CC0615	6	15
CC1005	10	5
CC1010	10	10
CC1015	10	15
CC1605	16	5
CC1610	16	10
CC1615	16	16