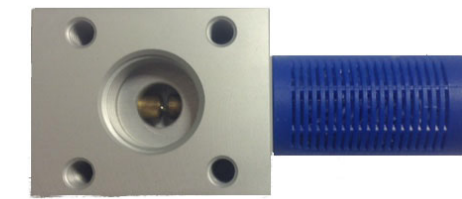
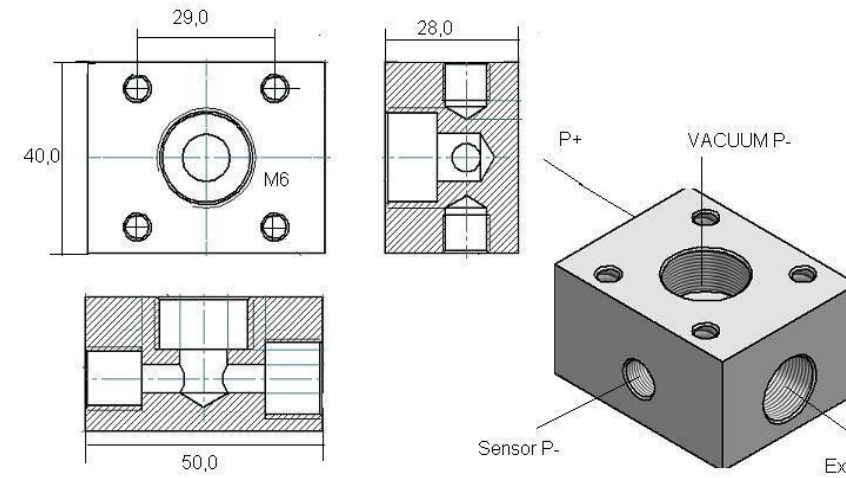




SERIE ZH



SPECIFICATIES • specifications

Max. vacuum niveau <i>max vacuum degree</i>	[Mbar]
Max. zuigvolume <i>max suction air flow</i>	[nl/min]
Perslucht verbruik <i>air flow consumption</i>	[nl/min]
Werkdruk <i>supply pressure</i>	[bar]
Geluidsniveau <i>working noise level</i>	[dB]
Persluchtaansluiting <i>supply port</i>	
Vacuumaansluiting <i>vacuum port</i>	
Materiaal <i>Materials</i>	
Temperatuur <i>Temperature</i>	[°C]
Gewicht <i>Weight</i>	[g]
Nozzle diameter	

VP 100 -10 ZH

VP 100 -13 ZH

VP 100-15 ZH

VP 100-17 ZH

-900	-900	-900	-900	
40	65	90	110	
55	80	136	170	
4...6	4...6	4...6	4...6	
75	75	75	75	
G 1/4"	G 1/4"	G 1/4"	G 1/4"	
G 1/2"	G 1/2"	G 1/2"	G 1/2"	
Aluminium en messing	Aluminium en messing	Aluminium en messing	Aluminium en messing	
-20...70	-20...70	-20...70	-20...70	
135	135	135	135	
1,0	1,3	1,5	1,7	

BESTELLEN • HOW TO ORDER

Venturi

VP-100 -10-ZH

VP-100-13-ZH

VP-100-15-ZH

VP-100-17-ZH

OPTIES • OPTIONS

Geluidsdemper *silencer*

SIL38

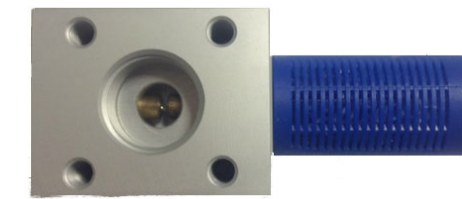
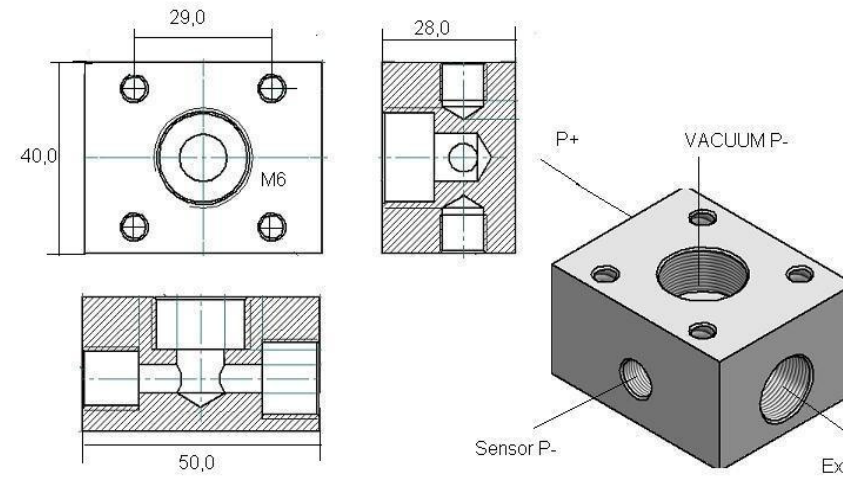
SIL 38

SIL 38

SIL 38



SERIE ZM



SPECIFICATIES • specifications

Max. vacuum niveau <i>max vacuum degree</i>	[Mbar]
Max. zuigvolume <i>max suction air flow</i>	[nl/min]
Perslucht verbruik <i>air flow consumption</i>	[nl/min]
Werkdruk <i>supply pressure</i>	[bar]
Geluidsniveau <i>working noise level</i>	[dB]
Persluchtaansluiting <i>supply port</i>	
Vacuumaansluiting <i>vacuum port</i>	
Materiaal <i>Materials</i>	
Temperatuur <i>Temperature</i>	[°C]
Gewicht <i>Weight</i>	[g]
Nozzle diameter	

VP 100 -10 ZM

VP 100 -13 ZM

VP 100-15 ZM

-600	-600	-600		
60	90	140		
55	80	130		
4...6	4...6	4...6		
75	75	75		
G 1/4"	G 1/4"	G 1/4"		
G 1/2"	G 1/2"	G 1/2"		
Aluminium en messing	Aluminium en messing	Aluminium en messing		
-20...70	-20...70	-20...70		
135	135	135		
1,0	1,3	1,5		

BESTELLEN • HOW TO ORDER

Venturi

VP-100 -10-ZM

VP-100-13-ZM

VP-100-15-ZM

OPTIES • OPTIONS

Geluidsdemper *silencer*

SIL38

SIL 38

SIL 38