

Pneumatic tools

Air knives and Cooling tubes

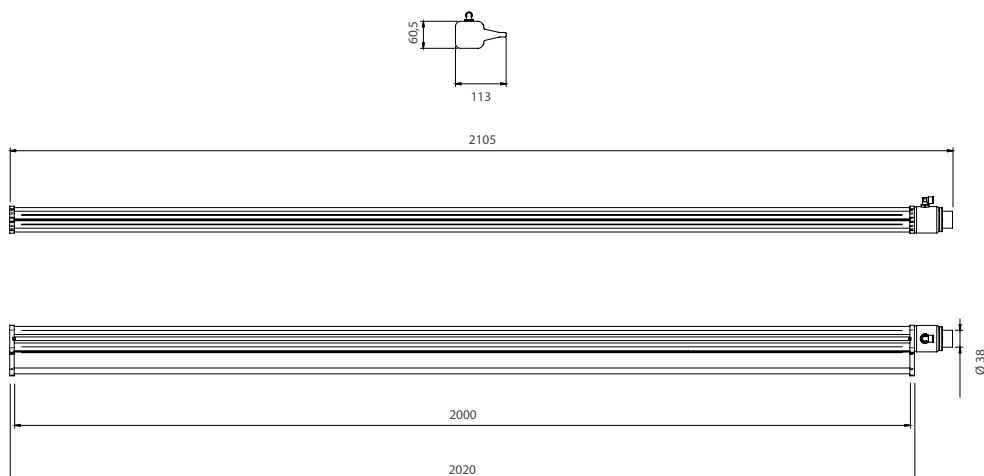
Air knife : AKAS2000



GENERAL FEATURES - AKAS2000

Materials	Anodised aluminium / Stainless steel
Fixation	On request
Blade length	2000 mm
Supply pressure	Based on the type of air supply

On request: heated air flow;
supply connection at 90°



Pneuparts.com
Florijn 10 b/c
5751 PC Deurne
Nederland

Phone: +31 (0)493 763 993
info@pneuparts.com
www.pneuparts.com

BTW: NL8209.12.931B01
KvK: 17126382
Swift: RABONL24
IBAN: NL23RABO01036.31240