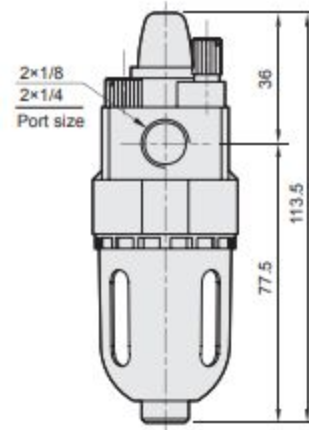
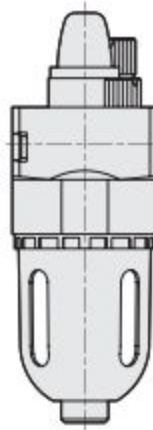
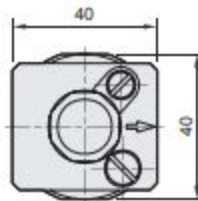
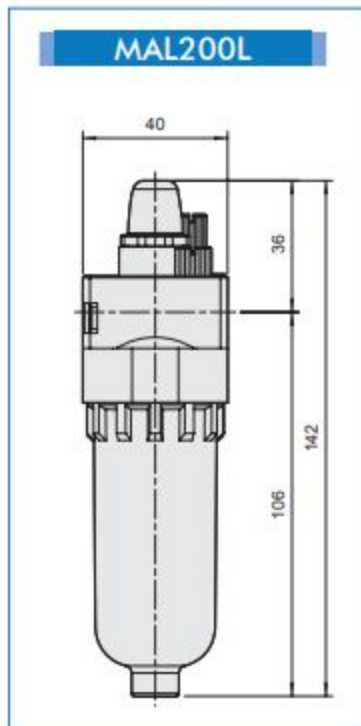
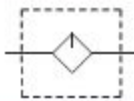




## Specification

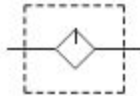
Bore No.	6A	8A
Port size	1/8	1/4
Medium	Air	
Max. operating pressure	1 MPa	
Proof pressure	1.5 MPa	
Ambient temperature	- 5~+60°C (No freezing)	
Lubricating oil capacity	20 c.c , 35 c.c (MAL200L)	
Min. Flow for oil drip	35 $\ell$ /min	50 $\ell$ /min
Recommended lubricating oil	Turbine oil ISO-VG32	
Weight	150 g, 130 g (MAL200L)	

Symbol



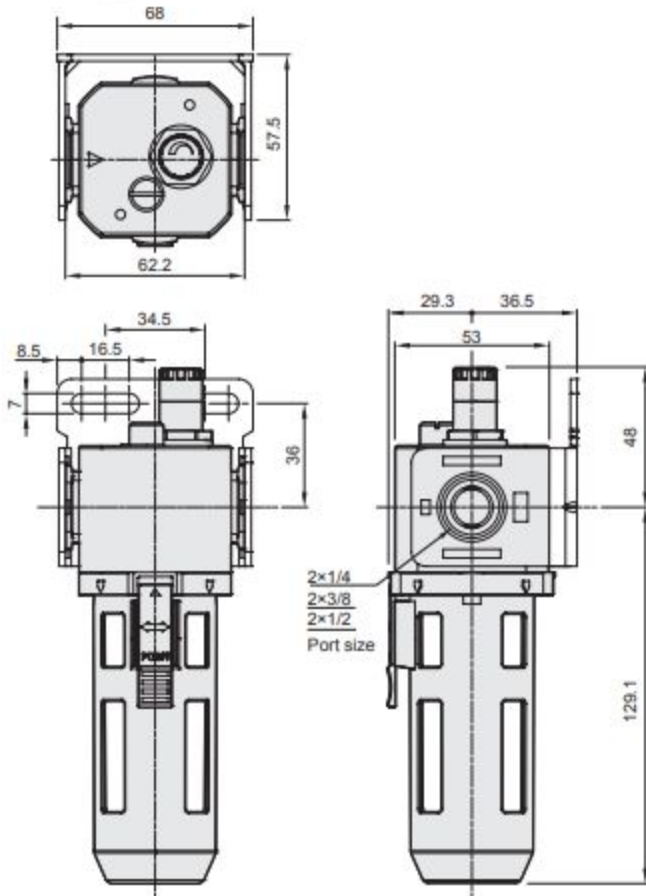


### Symbol



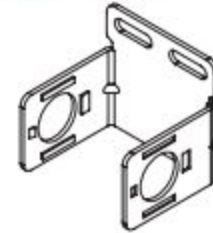
### Specification

Bore No.	8A	10A	15A
Port size	1/4	3/8	1/2
Medium	Air		
Max. operating pressure	1 MPa		
Proof pressure	1.5 MPa		
Ambient temperature	- 5~+60°C (No freezing)		
Lubricating oil capacity	65 c.c		
Min. Flow for oil drip	50 l/min	60 l/min	
Recommended lubricating oil	Turbine oil ISO-VG32		
Weight	345 g		



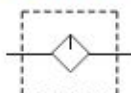
### Option accessories

#### C type bracket





### Symbol

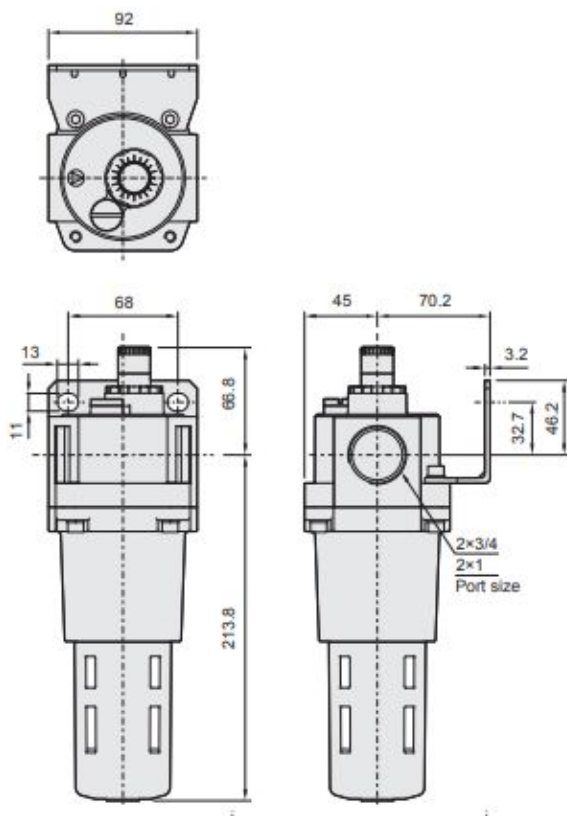
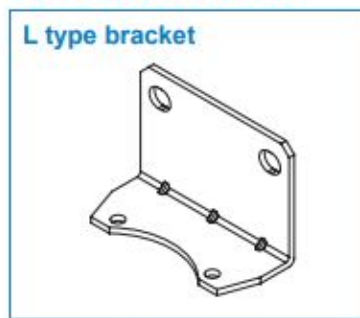


### Specification

Bore No.	20A	25A
Port size	3/4	1
Medium	Air	
Operating pressure range	PC, Nylon bowl: 0.05~1 MPa	
	Metal bowl: 0.05~1.5 MPa	
Proof pressure	PC, Nylon bowl: 1.5 MPa	
	Metal bowl: 2 MPa	
Ambient temperature	- 5~+60°C (No freezing)	
Lubricating oil capacity	200 c.c	
Min. Flow for oil drip	25 $\ell$ /min	33 $\ell$ /min
Recommended lubricating oil	Turbine oil ISO-VG32	
Weight	PC, Nylon bowl: 1260 g	
	Metal bowl: 1380 g	

### Option accessories

#### L type bracket



### Flow feature

