

Bistable

SPECIFICATIONS

Supplied with coil and plug.

Materials:

Body: Aluminium

Seals: NBR

Function:

3/2-way pneumatically operated valve, bistable
Normally closed (NC) or normally open (NO)

Temperature range:

-5 °C to max. +60 °C

Operating pressure:

0 to 8 bar

Pilot pressure:

1 to 8 bar

Media:

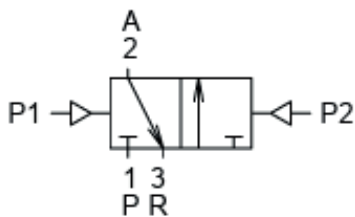
Compressed air, neutral gases

Effective orifice:

12, 18 or 50 mm²

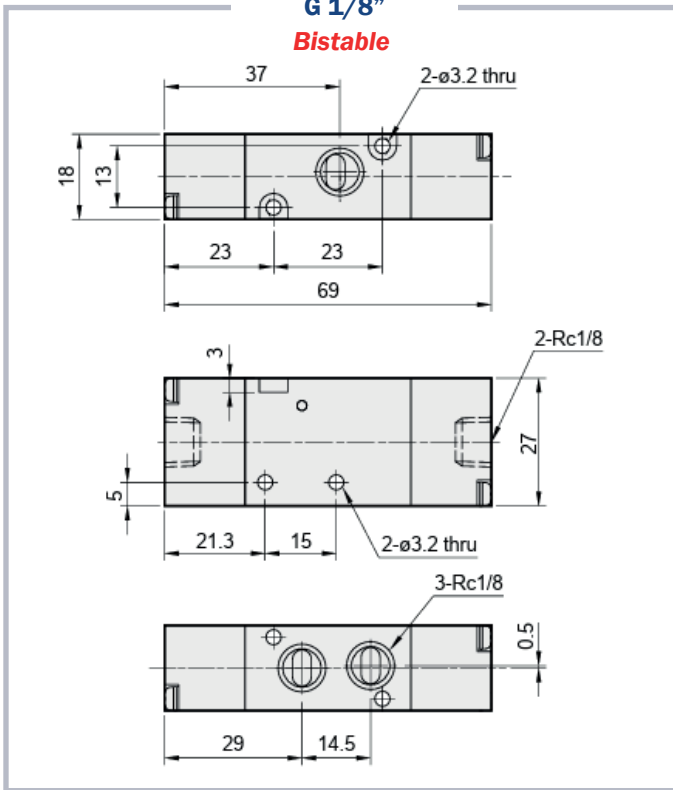
**Depending on (thread)type*

Symbol:

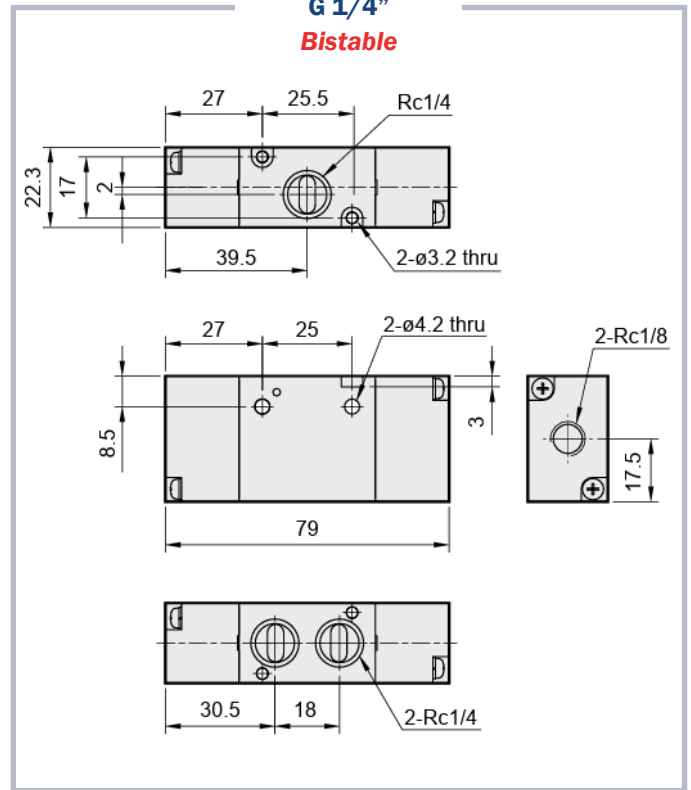


DIMENSIONS

G 1/8"
Bistable



G 1/4"
Bistable



G 1/2"
Bistable

