

End plate

End plate left, G 1/4"

For one piece of a 5/2 valve

BMH5503GR

Specifications

Port size (1,3,5)	G 1/4", G 1/4", G 1/4"
Function	5/2
Material	Aluminium
Orifice (DN)	10



pneuparts
.com

HAFNER

Modular manifold system for common connections to ports 1 (pressure), 3 and 5 (exhaust).

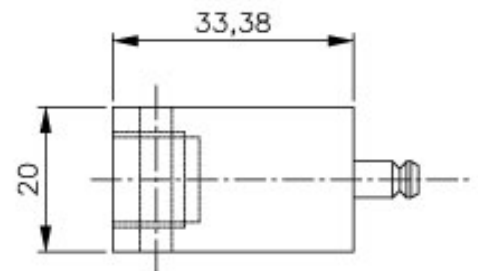
The system can be build and taken apart just by operating two hexagon socket screws.

Additional stations can be added at any position and any time.

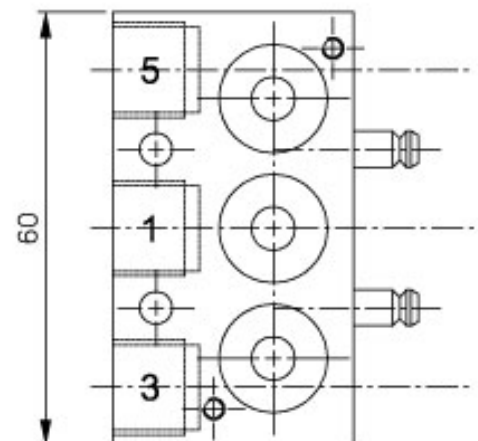
End-plates are equipped with threads for adding DIN-rail mounting clips.

By adding a special plug (type BS 503), two different pressures can be attached at the same manifold plate.

The plug is intercepting the air-supply in the manifold plate wherever the customer likes to.



R 5 503 GL



Pneuparts.com
Florijn 10 b/c
5751 PC Deurne
The Netherlands

Phone: +31 (0)493 763 993
info@pneuparts.com
www.pneuparts.com

BTW: NL8209.12.931B01
KvK: 17126382
Swift: RABONL24
IBAN: NL23RABO01036.31240