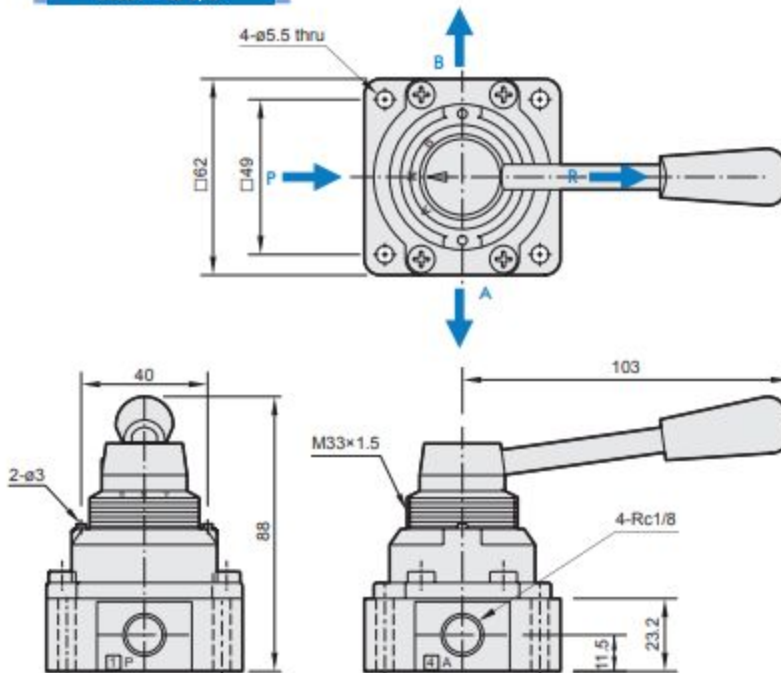
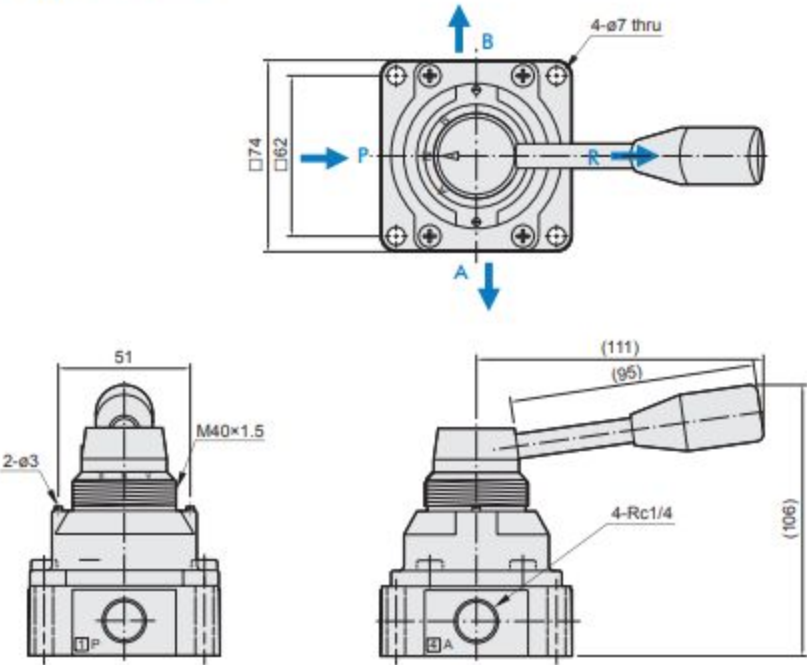


D	E	L	P	Weight
M33×1.5	6	41	46	26.5 g
M40×1.5	6	50	57	41 g
M50×1.5	8	55	63	40 g

RHLV - G 1/8"



RHLV - G 1/4"



RHLV - G 1/2"

