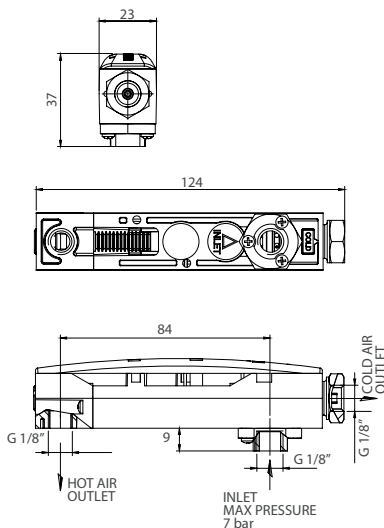


Pneumatic tools

Air knives and Cooling tubes

Vortex cooler PCV100



GENERAL FEATURES - PCV100

Materials	Body and cover: Nylon 6.6 Air connections and nozzles: brass
Air inlet port	G-1/8" F
Outlet port (cold flow)	G-1/8" F
Exhaust port (hot flow)	G-1/8" F
Recommended hose	Ø-8x1
Air supply pressure	3 ÷ 7 Bar
Cooling power*	120 W - 100 Kcal/h - 400 BTUH
Optional magnetic support	

*with inlet pressure 7 Bar and inlet temperature 20°C

PERFORMANCES AND CONSUMPTION TABLE (with air temperature at inlet 20°C)

Pressure [Bar]	Outlet temperature cold flow [°C]	Consumption [NL/min]
1	-1.5	32
2	-8	53
3	-15	74
4	-21,5	94
5	-24,5	115
6	-26,5	135
7	-28	154