

# Festo solenoid valve

## 10 mm, VUVG BK10 series

### Data sheet

**Materials**

Body: Aluminium/ plastic, seals: NBR

**Temperature range:**

-5 ° C to + 50 ° C

**Media:**

Oiled and oil-free compressed air

**Switching time:**

<17 ms

**Control voltages:**

24 V=

**Voltage tolerance:**

± 10%

**Energy consumption:**

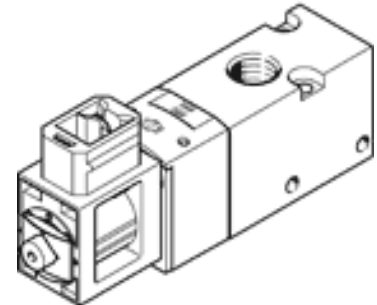
0.7 W

**Protection class (VDE 0470/EN60529):**

IP 65 (IP40 with rectangular connector H)

**Hint:**

Please order the connection cable suitable for the respective connection. The valves are supplied including seals & screws.



Article nr.	Function	Version	Workload	Orifice (DN)
VUVGBK10M52FR8	5/2 spring return	M 8 plug (3 pin) with LED and safety circuit	2.5-7 bar	160 L/min.
VUVGBK10M52FH	5/2 spring return	Rectangular connector H, with LED and protection circuit	2.5-7 bar	160 L/min.
VUVGBK10B52FR8	5/2 impulse	M 8 plug (3 pin) with LED and safety circuit	1.5-7 bar	160 L/min.
VUVGBK10B52FH	5/2 impulse	Rectangular connector H, with LED and protection circuit	1.5-7 bar	160 L/min.
VUVGBK10T32CFR8	2x 3/2 (NC/NC)	M 8 plug (3 pin) with LED and safety circuit	1.5-7 bar	160 L/min.
VUVGBK10T32CFH	2x 3/2 (NC/NC)	Rectangular connector H, with LED and protection circuit	1.5-7 bar	160 L/min.