

# U Guides light serie

For cylinders ISO 15552 Ø 12 - 80

## Guide units for cylinders

### Description

- The unit ensures a precise anti-rotation of the cylinder's rod
- Guide on 4 bronze brass bearings.
- Guide protected by 4 wipers seals.
- Floating cylinder rod coupling on the front plate.
- Delivered with a specific nut for fixing the cylinder.
- Without maintenance.

### Working temperature

from 5° to 80°C

### Materials:

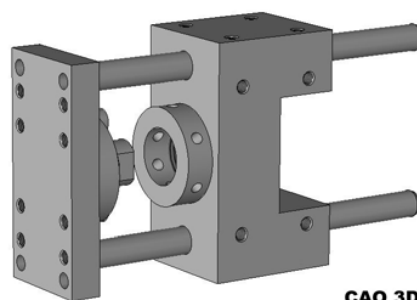
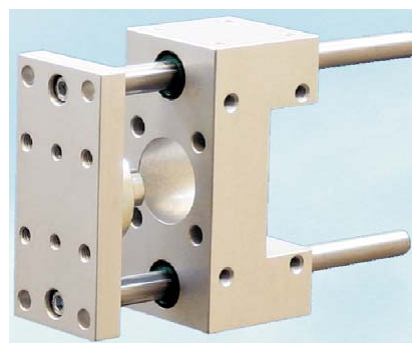
Housing and front plate: Anodized aluminium

Coupling and screws: Zinc steel

Rods: Chromed steel

### Maximum speed:

0,8 m/s

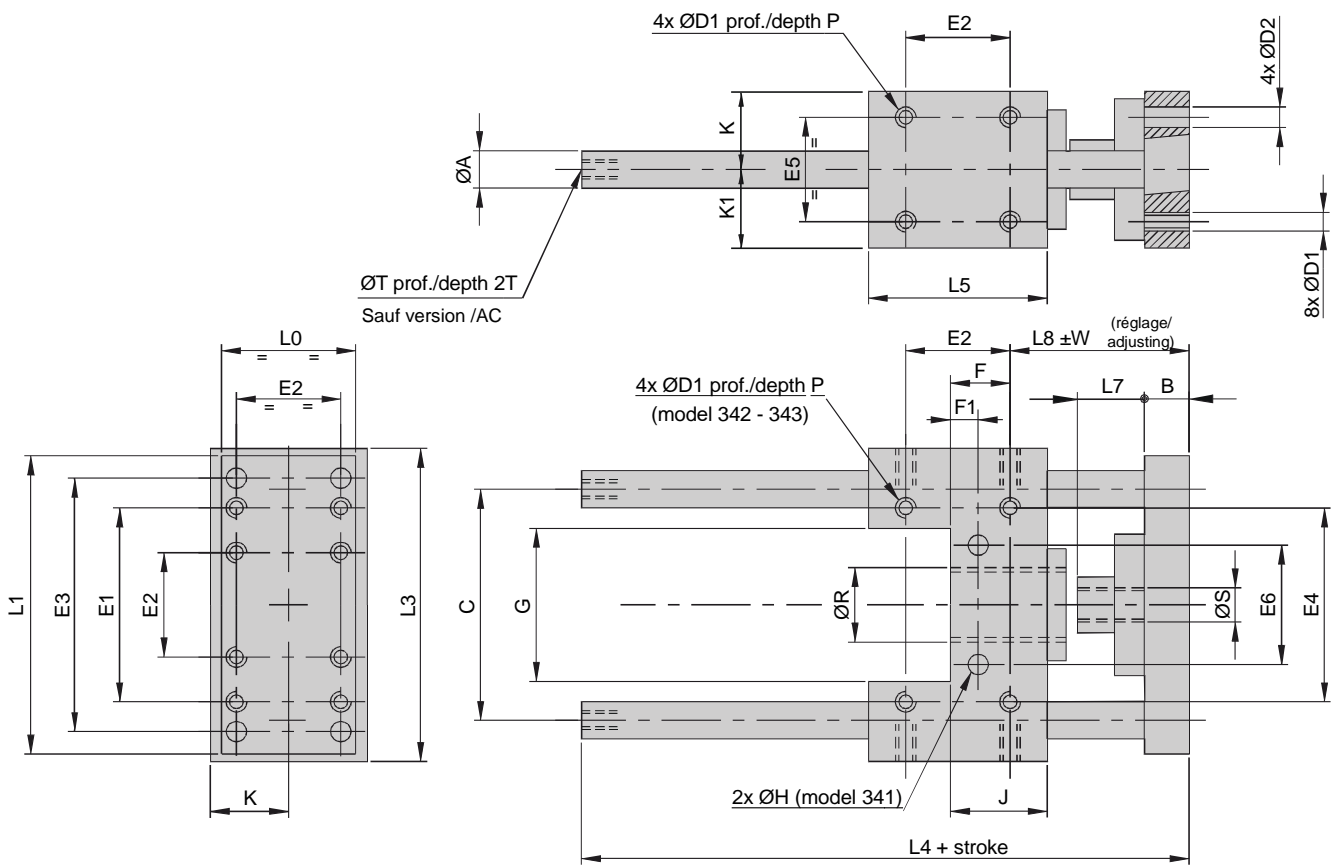


Size	1	2	3
Model	341	342	343
Ø Cylinder (mm)	Ø12/16	Ø20	Ø25
Ø Guide rods (mm)	Ø10	Ø10	Ø10
Weight stroke (kg)	0.3	0.7	0.7

### How to order:

	<b>I</b>	<b>C</b>	<b>G</b>	<b>.</b>	<b>L</b>	<b>.</b>	Stroke mm:
Size Ø:	Ø12&16:	1216					<b>025:</b> 25
	Ø20:	<b>20</b>					<b>050:</b> 50
	Ø25:	<b>25</b>					<b>100:</b> 100
							<b>160:</b> 160
							<b>200:</b> 200

\*Example: You need the guide with a Ø size from 20 mm and a stroke from 25 mm= **ICG20L025**



Ø Cylinder	Ø 12/1	Ø 2	Ø25	Ø Cylinder	Ø 12/1	Ø 2	Ø25
A	10	10	10	J	19	26	26
B	9,6	11	11	K	15	21	21
C	47	62	62	K1	15	21	21
D1	M4	M5	M5	L0	28	38	38
D2	4,5	5,5	5,5	L1	66	80	80
E1	32	52	52	L3	69	84	84
E2	18	28	28	L4	59	110	110
E3	58	68	68	L5	29	48	48
E4	-	52	52	L7	9	22	22
E5	22	28	28	L8	32,5	48	48
E6	22	(38)	(38)	P	8	10	10
F	13,5	16	16	R	M16 x 1,5	M22 x 1,5	M22 x 1,5
F1	4	(8,5)	(8,5)	S	M6	M8	M10 x 1,25
G	25	41	41	T	M5	M5	M5
H	5,5	(6,5)	(6,5)	W	1,5	1,5	1,5