

VACUUM ACCESSOIRES

VACUUM FILTERS



CHARACTERISTICS

<b>Connection</b>	
<b>Filtering material</b>	
<b>Filtration level</b>	[μ]
<b>Max air suction flow</b>	[NL/min]
<b>Working Temperature</b>	[°C]
<b>House materials</b>	
<b>Inner volume</b>	[L]
<b>Weight</b>	[g]

HOW TO ORDER

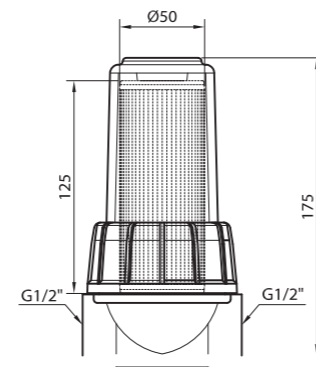
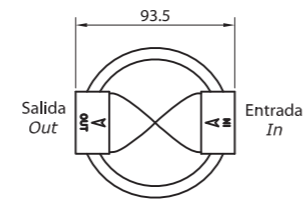
Complete filter with stainless steel cartridge

Stainless steel cartridge spare part

Paper cartridge spare part

Plastic cartridge spare part

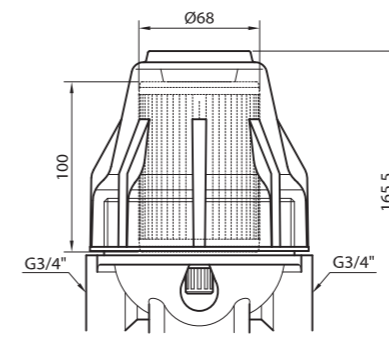
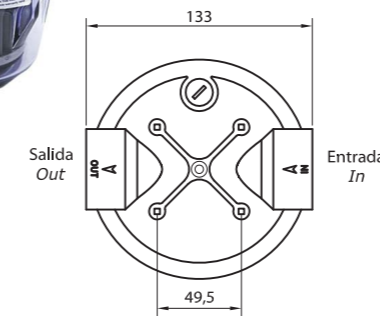
G1/2"



Connection	G1/2"
Filtering material	Stainless steel
Filtration level	50
Max air suction flow	400
Working Temperature	-20 ... +50
House materials	PP, SAN, ETP, brass
Inner volume	0,37
Weight	Stainless steel: 460 g

Complete filter with stainless steel cartridge	CFC12FRVS
Stainless steel cartridge spare part	SPCR12RVS
Paper cartridge spare part	SPCR12P
Plastic cartridge spare part	SPCR12PL

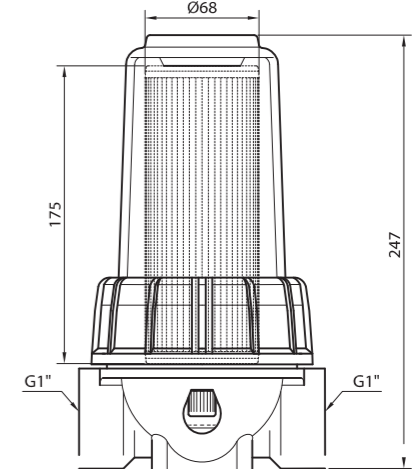
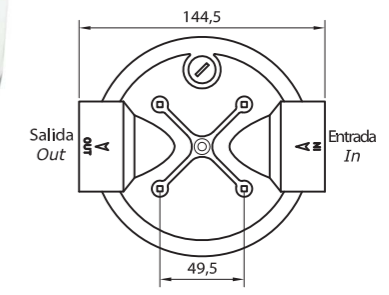
G3/4"



Connection	G3/4"
Filtering material	Stainless steel
Filtration level	50
Max air suction flow	1.100
Working Temperature	-20 ... +50
House materials	PP, SAN, ETP, brass
Inner volume	0,75
Weight	Stainless steel: 784

Complete filter with stainless steel cartridge	CFC34FRVS
Stainless steel cartridge spare part	SPCR34RVS
Paper cartridge spare part	SPCR34P
Plastic cartridge spare part	SPCR34PL

G1"



Connection	G1"
Filtering material	Stainless steel
Filtration level	50
Max air suction flow	1.167
Working Temperature	-20 ... +50
House materials	PP, SAN, ETP, brass
Inner volume	1,25
Weight	Stainless steel: 1030

Complete filter with stainless steel cartridge	CFC1FRVS
Stainless steel cartridge spare part	SPCR1RVS
Paper cartridge spare part	SPCR1P
Plastic cartridge spare part	SPCR1PL