

Cartridge cylinder

Single acting

without thread

Materials:

Body: Nickel-plated brass, piston rod: stainless steel, seal: NBR

Temperature range:

-20°C to +80°C

Operating pressure:

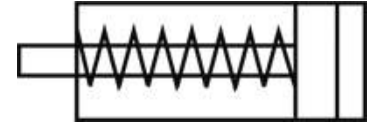
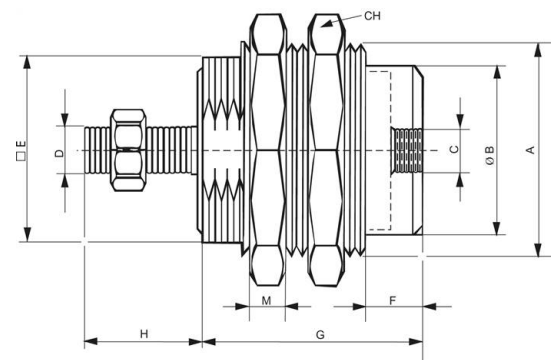
2 - 7 bar

Piston diameter:

6, mm, 10 mm & 16 mm

Stroke:

5 mm, 10 mm & 15 mm



Article nr	Piston diameter	Stroke (mm)
CC0605WT	6	5
CC0610WT	6	10
CC0615WT	6	15
CC1005WT	10	5
CC1010WT	10	10
CC1015WT	10	15
CC1605WT	16	5
CC1610WT	16	10
CC1615WT	16	16