

Specification

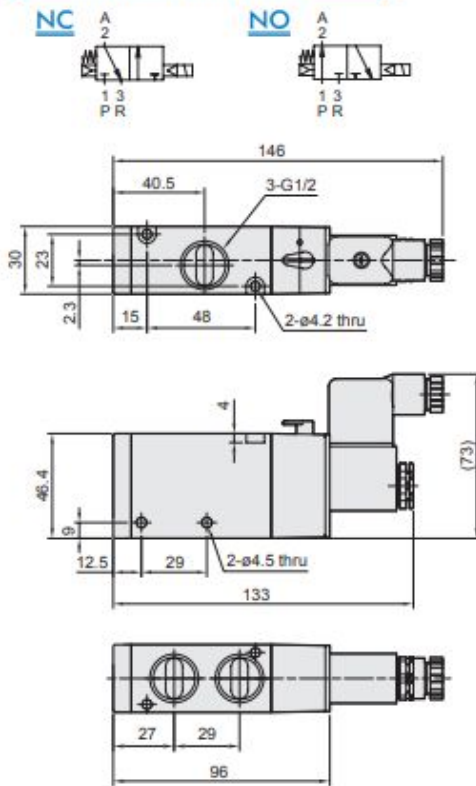
Model	3/2 M	3/2 B	5/2 M	5/2 B	
Bore No.	15A				
Port size	G1/2				
No. of port	3		5		
No. of position	2			3	
Medium	Air				
Operating pressure range	0.2~0.8 MPa			0.3~0.8 MPa	
Operating pressure (LP)	0~0.8 MPa				
External pilot pressure (LP)	0.2~0.8 MPa			0.3~0.8 MPa	
Proof pressure	1 MPa				
Effective orifice	60 mm ²		50 mm ²		30 mm ²
Response time	50 ms				
Ambient temperature	-5~+50°C (No freezing)				
Voltage	AC110V, 220V (50/60)Hz, DC24V				
Power consumption	AC=4.8/4.4VA, 6/4.9VA, DC=2W				
Available voltage range	±10%				
Insulation class	F class				
Weight	325 g	455 g	339 g	464 g	525 g

Table 1

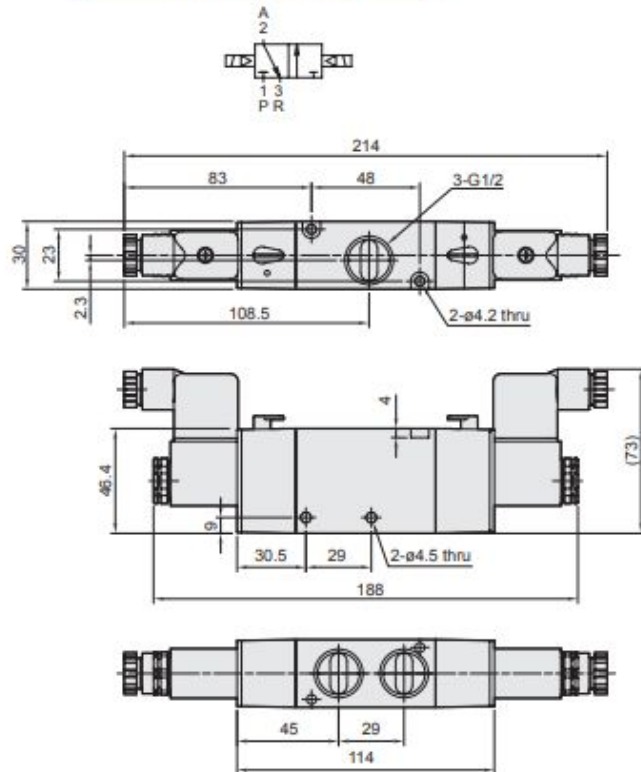
Property for explosion-proof type

Anti-explosion class	EEx m II T4
Voltage	AC110V, 220V, (50/60)Hz, DC24V.
Power consumption	AC=4.4VA DC=5W
Available voltage range	±10%
Insulation class	F class
Wire length	3 m

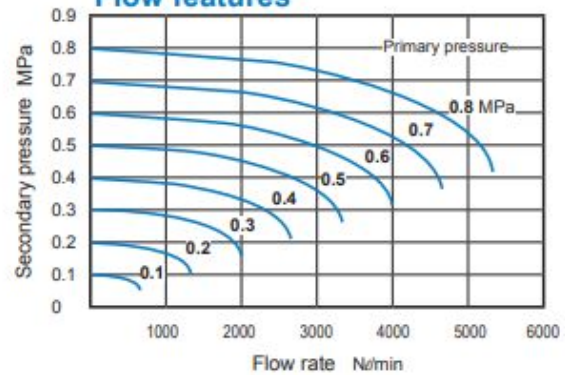
G 1/2" 3/2 monostabil



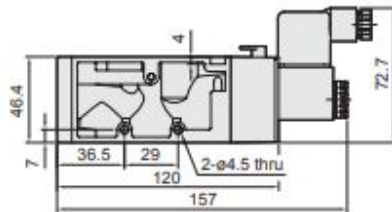
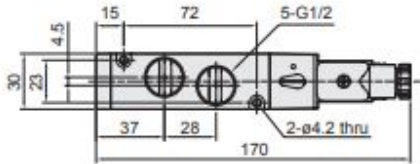
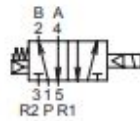
G 1/2" 3/2 bistabil



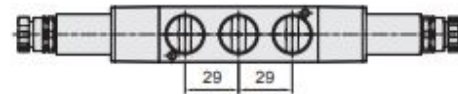
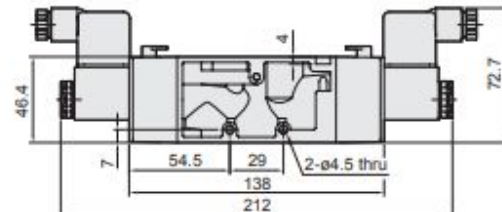
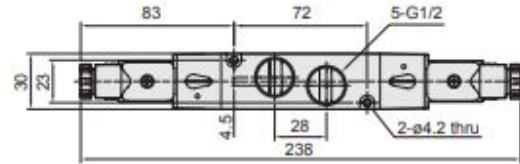
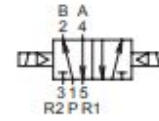
Flow features



G 1/2" 5/2 monostabil



G 1/2" 5/2 bistabil



Flow features

