

Quick release couplings

ISO 6150-B - DN 6 mm

Female thread

ITEM DESCRIPTION

Profile:

ISO 6150B

Pass:

DN 6

Material:

Zinc plated steel (ST)

Safety standard:

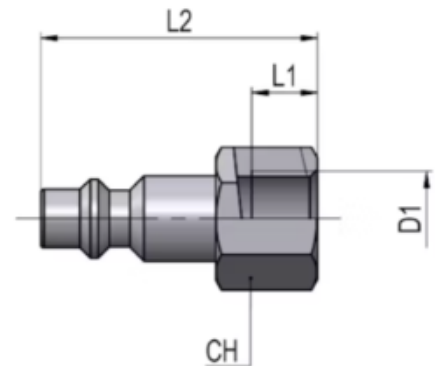
Working conditions conform



-20/+80 °C



0/16 bar



SPECIFICATIONS

ARTICLE NUMBER	Thread (A)	L1	L1 (IN)	L2	L2 (IN)	CH
CPF14NW6	G 1/4"	9.5	.374	38	1.496	17
CPF38NW6	G 3/8"	10.5	.413	40	1.575	20
CPF12NW6	G 1/2"	11	.433	42	1.654	24