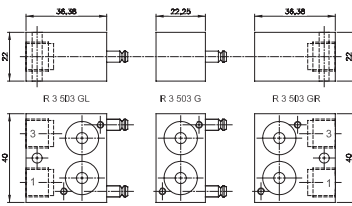
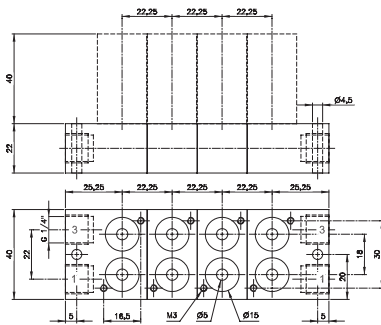
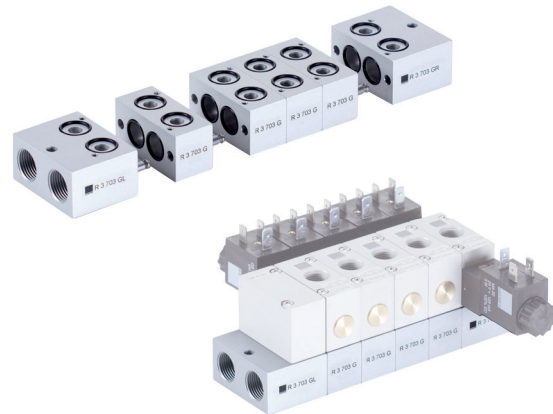


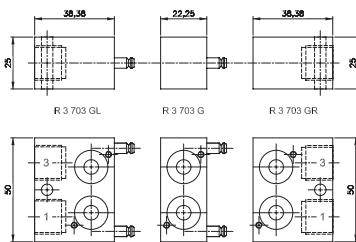
BMH3503GL | End plate left, G 1/4", for 1 piece 3/2 valve  
 BMH3503GR | End plate right, G 1/4", for 1 piece 3/2 valve  
 BMH3503G | Individual position 1 valve, for 3/2 valve



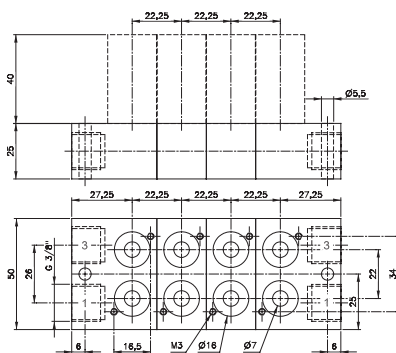
Parts of modular manifold RB 3\_\_ 503 G



RB 3\_\_ 503 G Orifice size: 10 mm



Parts of modular manifold RB 3\_\_ 703 G



RB 3\_\_ 703 G Orifice size: 15 mm



BS 503/BS 3 703

By adding a special plug (type BS 503/BS 3 703), two different pressures can be attached at the same manifold plate. The plug is intercepting the air-supply in the manifold plate wherever the customer likes to. Type BS 503 for manifold RB\_503 G and BS 3 703 for manifold RB\_703 G.

Modular manifold system for common connections to ports 1 (pressure) and 3 (exhaust). The system can be build and taken apart just by operating two hexagon socket screws. Additional stations can be added at any position and any time. End-plates are equipped with threads for adding DIN-rail mounting clips.

The following valves can be assembled to the system **RB 3\_\_ 503 G**:  
 3/2 single sol. n.c. G 1/8" MH 310 501 G page 2.5.1.1.16  
 3/2 single sol. n.o. G 1/8" MOH 310 501 G page 2.5.1.1.16  
 3/2 double sol. G 1/8" MH 320 501 G page 2.5.1.1.20

The system consists of:  
 End-plate right type R 3 503 GR  
 End-plate left type R 3 503 GL  
 Individual position type R 3 503 G

Blanking plates are also available type BP 3 503.

The following valves can be assembled to the system **RB 3\_\_ 703 G**:  
 3/2 single sol. n.c. G 1/4" MH 310 701 G page 2.5.1.1.16  
 3/2 single sol. n.o. G 1/4" MOH 310 701 G page 2.5.1.1.16  
 3/2 double sol. G 1/4" MH 320 701 G page 2.5.1.1.20

The system consists of:  
 End-plate right type R 3 703 GR  
 End-plate left type R 3 703 GL  
 Individual position type R 3 703 G

Blanking plates are also available type BP 3 703.

The plates can also be ordered assembled by the manufacturer. In this case order RB 3\_\_ 503 G (1/8") or RB 3\_\_ 703 G (1/4"). Please add two digits for the number of positions required.

Type	Function	Weight
R 3 503 GR	End-plate right	0,07 kg
R 3 503 GL	End-plate left	0,07 kg
R 3 503 G	Individual position	0,05 kg

Type	Function	Weight
R 3 703 GR	End-plate right	0,11 kg
R 3 703 GL	End-plate left	0,11 kg
R 3 703 G	Individual position	0,07 kg
R 3 703 G D1	Individual position, with individual valve isolation	0,08 kg